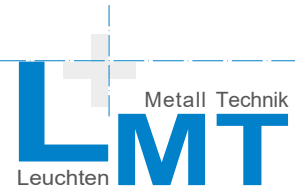


Light and Form in Perfection.



U3 NORDWESTRING



**Light +
more for
Stations**

Light + more for Stations

Lighting tubes	round profile	3 - 8
	oval profile	9 - 15
	square profile	16 - 20
	flat profile	20 - 21

Illuminated Handrails	LED tube	22
	Handlebar separate	23
	Handle integrated	24 - 25

Luminaires	Luminaires for lighting tubes	26 - 27
	Pendant and surface mounted luminaires	28
	Recessed wall luminaires	29
	Tunnel luminaires	30
	Steles and bollards	31



Lighting Tubes

light + more for stations



Plain lighting tubes or complex media channels - we offer a comprehensive range of versatile solutions in aluminium and stainless steel, for platforms and many other applications. Illuminated handrails, luminaires and metal accessories round our portfolio up.

Luminaires

according to individual design



In co-operation with architects and planners, we develop and manufacture project-related solutions for individual architectural lighting, for indoor and outdoor areas, as well as luminaires with special requirements and for technical purposes.

Metal Work

innovative and precise



Whether for medical technology or mechanical engineering - we manufacture a wide variety of products from metal. Our spectrum ranges from tailor-made cladding and fittings, to art and design objects, as well as to contract manufacturing of assemblies.



Description

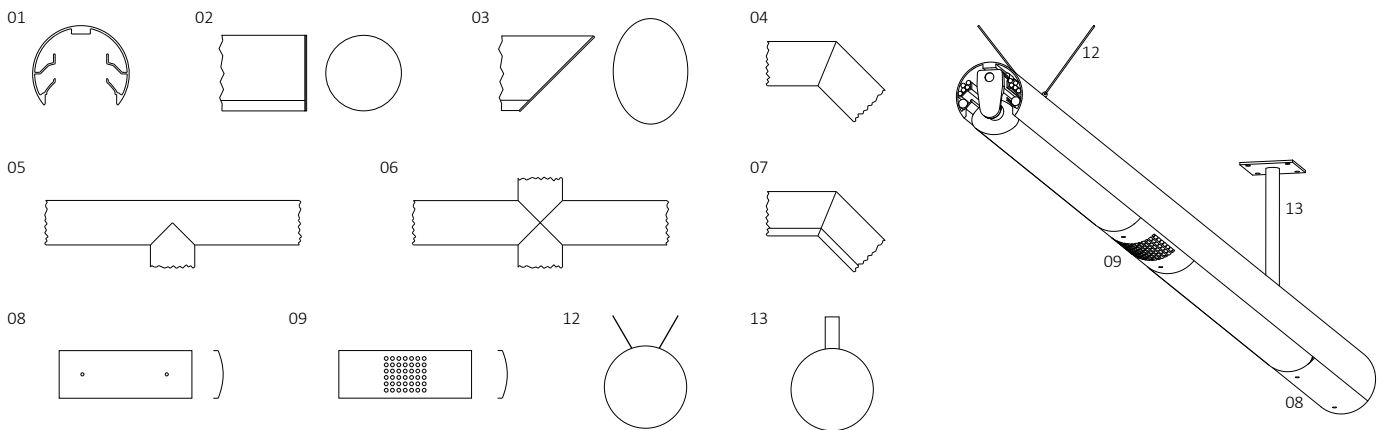
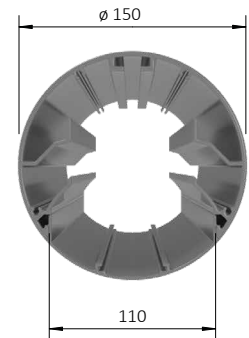
Tube system for the integration of luminaires, loudspeakers, cables and other components.

Design

- + Housing : extruded aluminium profile
- + Surface : chromium-free passivated and powder coated in RAL 9006, or anodised E6/EV1
- + Mounting : suspended

Technical Data

- + Cable trays : 4
- + Dimensions : \varnothing 150 mm
- + Opening width : 110 mm
- + Weight : appr. 10 kg/m; depending on cables, luminaires and other components



Article	Description	Angle	Surface	Dimensions	Unit	Art.No.
01 ROUND 150	Lighting tube		RAL 9006/anodised	\varnothing 150 mm	m	1060-001
02 ROUND 150	End cover	90°	RAL 9006/anodised	\varnothing 150 mm	piece	1060-002
03 ROUND 150	End cover slanted	as specified	RAL 9006/anodised		piece	1060-003
04 ROUND 150	Lighting tube, horizontal bend	60°-179°	RAL 9006/anodised		piece	1060-004
05 ROUND 150	Lighting tube, T-piece	90°	RAL 9006/anodised		piece	1060-005
06 ROUND 150	Lighting tube, crossing	90°	RAL 9006/anodised		piece	1060-006
07 ROUND 150	Lighting tube, vertical bend	1°-90°	RAL 9006/anodised		piece	1060-007
08 ROUND 150	Blind cover		RAL 9006/anodised	L= as specified	m	1060-008
09 ROUND 150	Loudspeaker kit incl. punched cover		RAL 9006/anodised	L= 500 mm	piece	1060-009
10 ROUND 150	Tube connectors (not shown)				piece	1060-010
11 ROUND 150	Luminaire installation kit (not shown)				piece	1060-011
12 ROUND 150	Rope suspension incl. mounting equipment			as specified	piece	1060-012
13 ROUND 150	Pendulum suspension incl. mounting equipment			as specified	piece	1060-013

Other lengths, surfaces, suspensions and components on enquiry. Subject to technical modifications and amendments. 12/2020





Description

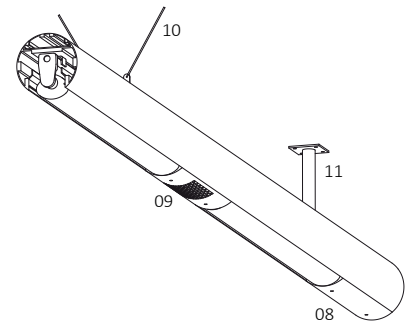
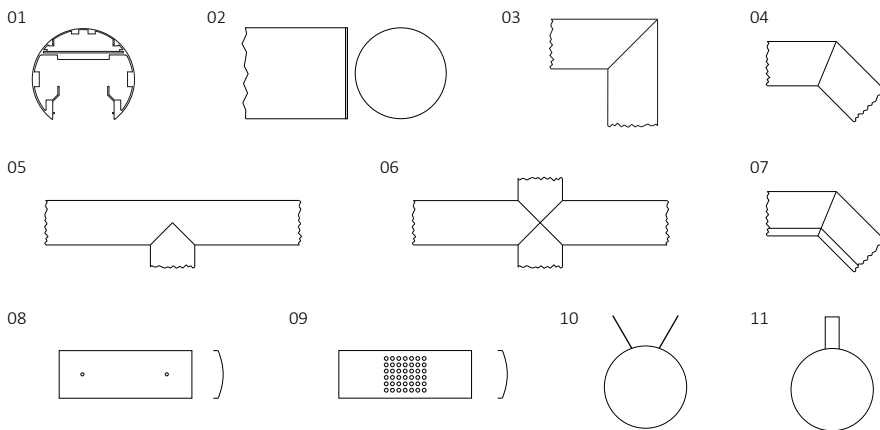
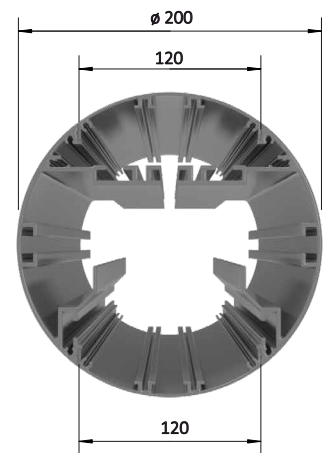
Tube system for the integration of luminaires, loudspeakers, cables and other components.

Design

- + Housing : extruded aluminium profile
- + Surface : chromium-free passivated and powder coated in RAL 9006, or anodised E6/EV1
- + Mounting : suspended

Technical Data

- + Cable trays : 3
- + Dimensions : \varnothing 200 mm
- + Opening width : 120 mm
- + Weight : appr. 15 kg/m; depending on cables, luminaires and other components



Article	Description	Angle	Surface	Dimensions	Unit	Art.No.
01 ROUND 200	Lighting tube		RAL 9006/anodised	\varnothing 200 mm	m	1625-001
02 ROUND 200	End cover	90°	RAL 9006/anodised	\varnothing 200 mm	piece	1625-010
03 ROUND 200	Lighting tube, horizontal bend	90°	RAL 9006/anodised		piece	1625-021
04 ROUND 200	Lighting tube, horizontal bend	60°-179°	RAL 9006/anodised		piece	1625-024
05 ROUND 200	Lighting tube, T-piece	90°	RAL 9006/anodised		piece	1625-022
06 ROUND 200	Lighting tube, crossing	90°	RAL 9006/anodised		piece	1625-025
07 ROUND 200	Lighting tube, vertical bend	1°-90°	RAL 9006/anodised		piece	1625-023
08 ROUND 200	Blind cover		RAL 9006/anodised		m	1625-015
09 ROUND 200	Loudspeaker kit incl. punched cover		RAL 9006/anodised	L= 500 mm	piece	1625-020
10 ROUND 200	Rope suspension incl. mounting equipment			as specified	piece	1625-006
11 ROUND 200	Pendulum suspension incl. mounting equipment			as specified	piece	1625-002
12 ROUND 200	Wall bracket incl. mounting equipment (not shown)				piece	1070-011
13 ROUND 200	Tube connectors (not shown)				piece	1625-008

Other lengths, surfaces, suspensions and components on enquiry. Subject to technical modifications and amendments. 12/2020





Description

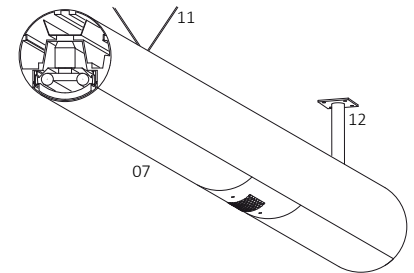
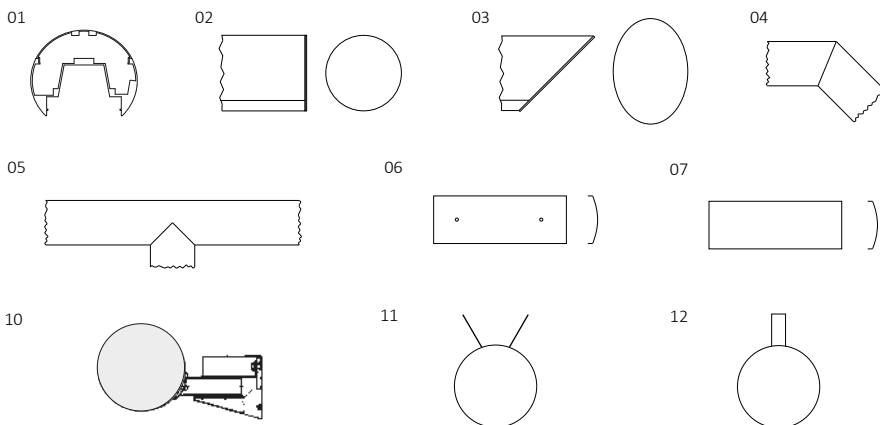
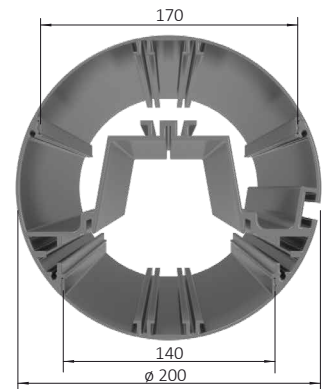
Tube system for the integration of luminaires, loudspeakers, cables and other components.

Design

- + Housing : extruded aluminium profile
- + Surface : chromium-free passivated and powder coated in RAL 9006, or anodised E6/EV1
- + Mounting : Suspension or wall bracket

Technical Data

- + Cable trays : 3
- + Dimensions : \varnothing 200 mm
- + Opening width : bottom: 140 mm, top 170 mm
- + Weight : appr. 25 kg/m; depending on cables, luminaires and other components



Article	Description	Angle	Surface	Dimensions	Unit	Art.No.
01 ROUND 200	Lighting tube		RAL 9006/anodised	\varnothing 200 mm	m	1682-009
02 ROUND 200	End cover	90°	RAL 9006/anodised	\varnothing 200 mm	piece	1682-006
03 ROUND 200	Lighting tube, horizontal bend	90°	RAL 9006/anodised		piece	1682-040
04 ROUND 200	Lighting tube, horizontal bend	60°-179°	RAL 9006/anodised		piece	1682-100
05 ROUND 200	Lighting tube, T-piece	90°	RAL 9006/anodised		piece	1682-062
06 ROUND 200	Blind cover, bottom side		RAL 9006/anodised	L= as specified	m	1682-015
07 ROUND 200	Cover, PC clear-transparent				piece	1682-021
08 ROUND 200	Louvre (for luminaire 58W) (not shown)				piece	1682-022
09 ROUND 200	Cable channel closure (not shown)				piece	1682-098
10 ROUND 200	Wall bracket incl. mounting equipment (not shown)		RAL 9006/anodised		piece	1682-010
11 ROUND 200	Rope suspension incl. mounting equipment			as specified	piece	1682-110
12 ROUND 200	Pendulum suspension incl. mounting equipment			as specified	piece	1682-058
13 ROUND 200	Tube connectors (not shown)				piece	1682-025

Other lengths, surfaces, suspensions and components on enquiry. Subject to technical modifications and amendments. 12/2020





Description

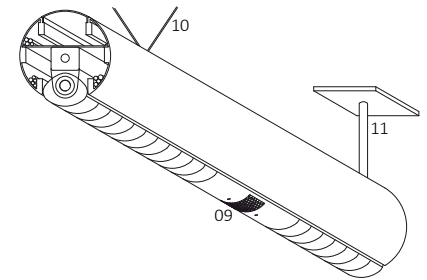
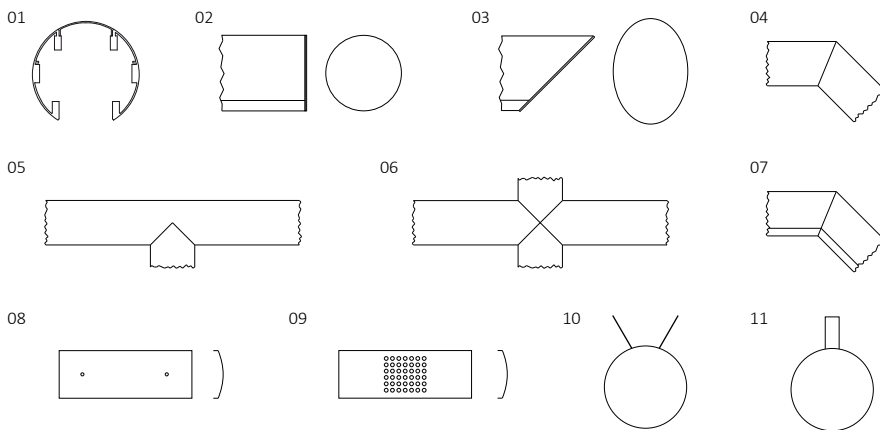
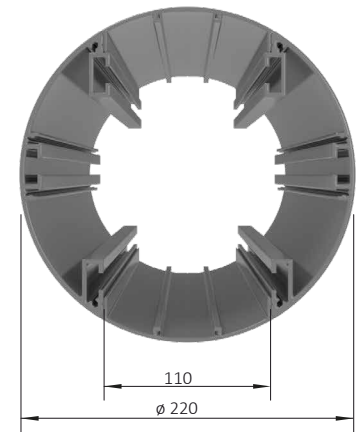
Tube system for the integration of luminaires, loudspeakers, cables and other components.

Design

- + Housing : extruded aluminium profile
- + Surface : chromium-free passivated and powder coated in RAL 9006, or anodised E6/EV1
- + Mounting : suspended

Technical Data

- + Cable trays : 3
- + Dimensions : \varnothing 220 mm
- + Opening width : 110 mm
- + Weight : about 18 kg/m; depending on cables, luminaires and other components



Article	Description	Angle	Surface	Dimensions	Unit	Art.No.
01 ROUND 220	Lighting tube		RAL 9006/anodised	\varnothing 220 mm	m	1070-001
02 ROUND 220	End cover	90°	RAL 9006/anodised	\varnothing 220 mm	piece	1070-002
03 ROUND 220	End cover slanted	as specified	RAL 9006/anodised		piece	1070-003
04 ROUND 220	Lighting tube, horizontal bend	60°-179°	RAL 9006/anodised		piece	1070-004
05 ROUND 220	Lighting tube, T-piece	90°	RAL 9006/anodised		piece	1070-005
06 ROUND 220	Lighting tube, crossing	90°	RAL 9006/anodised		piece	1070-006
07 ROUND 220	Lighting tube, vertical bend	1°-90°	RAL 9006/anodised		piece	1070-007
08 ROUND 220	Blind cover		RAL 9006/anodised		piece	1070-008
09 ROUND 220	Loudspeaker kit incl. punched cover		RAL 9006/anodised	L= as specified	m	1070-009
10 ROUND 220	Rope suspension incl. mounting equipment			L= 500 mm	piece	1070-010
11 ROUND 220	Pendulum suspension incl. mounting equipment			as specified	piece	1070-011
12 ROUND 220	Tube connectors (not shown)			as specified	piece	1070-012

Other lengths, surfaces, suspensions and components on enquiry. Subject to technical modifications and amendments. 12/2020





Description

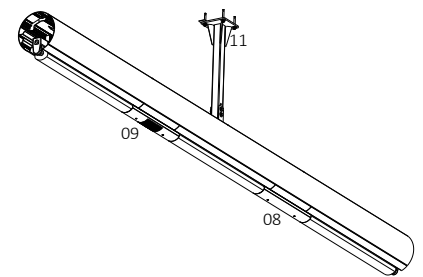
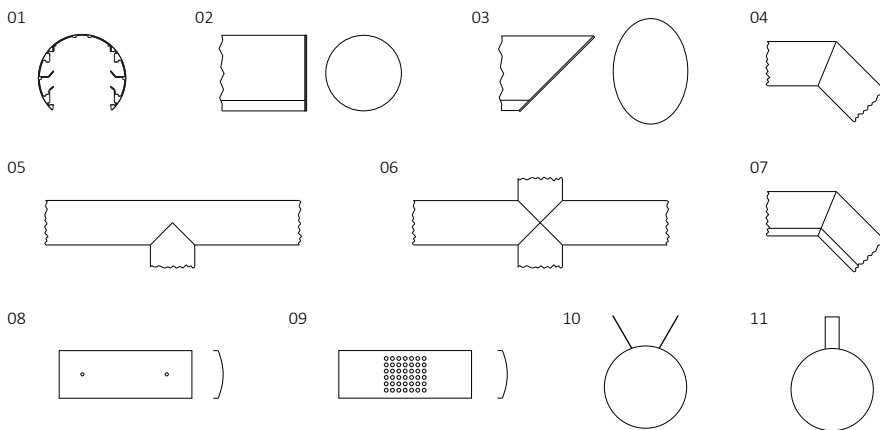
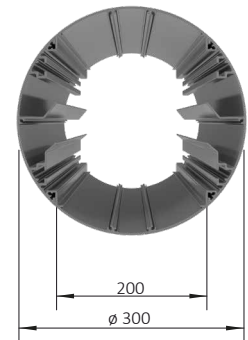
Tube system for the integration of luminaires, loudspeakers, cables and other components.

Design

- + Housing : extruded aluminium profile
- + Surface : chromium-free passivated and powder coated in RAL 9006, or anodised E6/EV1
- + Mounting : suspended

Technical Data

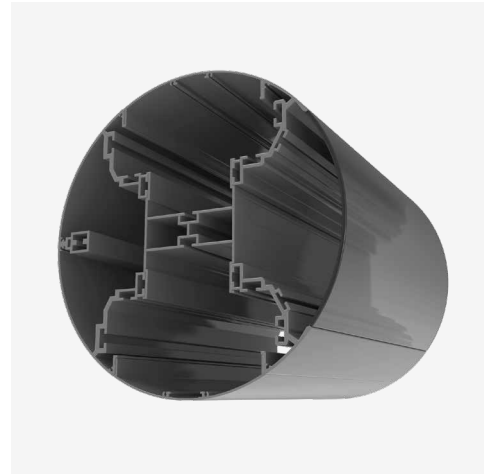
- + Cable trays : 4
- + Dimensions : \varnothing 300 mm
- + Opening width : 200 mm
- + Weight : about 21 kg/m; depending on cables, luminaires and other components



Article	Description	Angle	Surface	Dimensions	Unit	Art.No.
01 ROUND 300	Lighting tube		RAL 9006/anodised	\varnothing 300 mm	m	1065-010
02 ROUND 300	End cover	90°	RAL 9006/anodised	\varnothing 300 mm	piece	1065-011
03 ROUND 300	End cover slanted	as specified	RAL 9006/anodised		piece	1065-012
04 ROUND 300	Lighting tube, horizontal bend	60°-179°	RAL 9006/anodised		piece	1065-013
05 ROUND 300	Lighting tube, T-piece	90°	RAL 9006/anodised		piece	1065-014
06 ROUND 300	Lighting tube, crossing	90°	RAL 9006/anodised		piece	1065-015
07 ROUND 300	Lighting tube, vertical bend	1°-90°	RAL 9006/anodised		piece	1065-016
08 ROUND 300	Blind cover		RAL 9006/anodised	L= as specified	m	1065-017
09 ROUND 300	Loudspeaker kit incl. punched cover		RAL 9006/anodised	L= 500 mm	piece	1065-018
10 ROUND 300	Rope suspension incl. mounting equipment			as specified	piece	1065-019
11 ROUND 300	Pendulum suspension incl. mounting equipment			as specified	piece	1065-020
12 ROUND 300	Tube connectors (not shown)				piece	1065-021

Other lengths, surfaces, suspensions and components on enquiry. Subject to technical modifications and amendments. 12/2020





Description

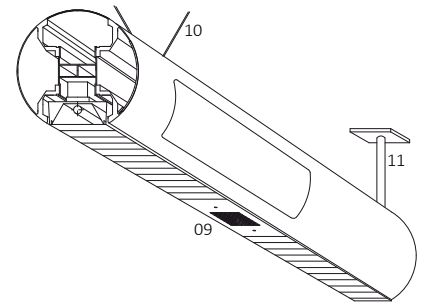
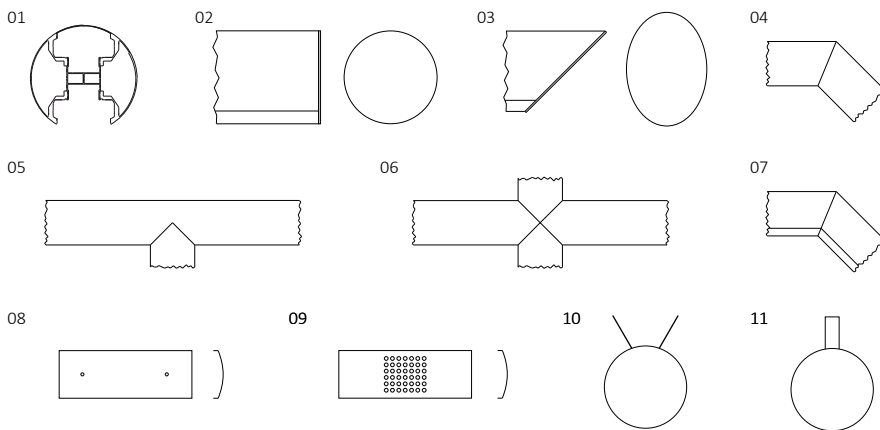
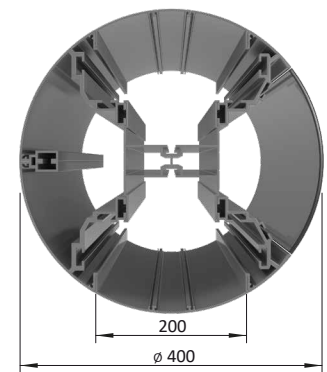
Tube system for the integration of luminaires, loudspeakers, cables and other components.

Design

- + Housing : extruded aluminium profile
- + Surface : chromium-free passivated and powder coated in RAL 9006, or anodised E6/EV1
- + Mounting : suspended

Technical Data

- + Cable trays : 2
- + Dimensions : \varnothing 400 mm
- + Opening width : 200 mm
- + Weight : about 35 kg/m; depending on cables, luminaires and other components



Article	Description	Angle	Surface	Dimensions	Unit	Art.No.
01 ROUND 400	Lighting tube		RAL 9006/anodised	\varnothing 400 mm	m	1067-001
02 ROUND 400	End cover	90°	RAL 9006/anodised	\varnothing 400 mm	piece	1067-002
03 ROUND 400	End cover slanted	as specified	RAL 9006/anodised		piece	1067-003
04 ROUND 400	Lighting tube, horizontal bend	60°-179°	RAL 9006/anodised		piece	1067-004
05 ROUND 400	Lighting tube, T-piece	90°	RAL 9006/anodised		piece	1067-005
06 ROUND 400	Lighting tube, crossing	90°	RAL 9006/anodised		piece	1067-006
07 ROUND 400	Lighting tube, vertical bend	1°-90°	RAL 9006/anodised		piece	1067-007
08 ROUND 400	Blind cover		RAL 9006/anodised	L= as specified	m	1067-008
09 ROUND 400	Loudspeaker kit incl. punched cover		RAL 9006/anodised	L= 500 mm	piece	1067-009
10 ROUND 400	Rope suspension incl. mounting equipment			as specified	piece	1067-010
11 ROUND 400	Pendulum suspension incl. mounting equipment			as specified	piece	1067-011
12 ROUND 400	Tube connectors (not shown)				piece	1067-012
13 ROUND 400	Lateral luminaire insert (not shown)				piece	1067-013

Other lengths, surfaces, suspensions and components on enquiry. Subject to technical modifications and amendments. 12/2020





Description

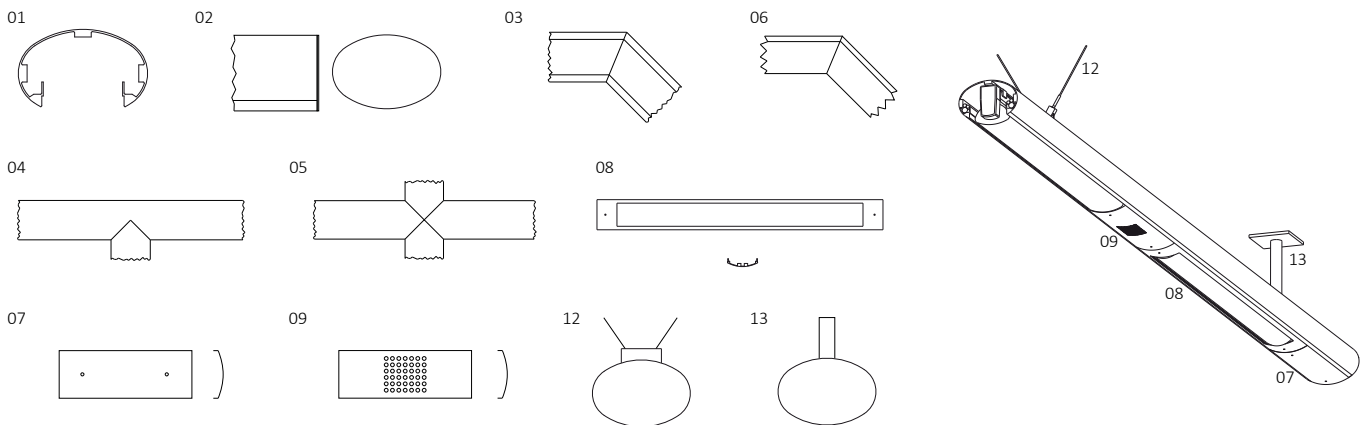
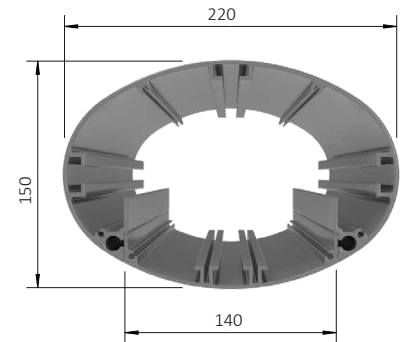
Tube system for the integration of luminaires, loudspeakers, cables and other components.

Design

- + Housing : extruded aluminium profile
- + Surface : chromium-free passivated and powder coated in RAL 9006, or anodised E6/EV1
- + Mounting : suspended

Technical Data

- + Cable trays : 2
- + Dimensions : 220 x 150 mm
- + Opening width : 140 mm
- + Weight : about 12 kg/m; depending on cables, luminaires and other components



Article	Description	Angle	Surface	Dimensions	Unit	Art.No.
01	OVAL 220 x 150 Lighting tube		RAL 9006/anodised	220 x 150 mm	m	1812-001
02	OVAL 220 x 150 End cover	90°	RAL 9006/anodised	220 x 150 mm	piece	1812-002
03	OVAL 220 x 150 Lighting tube, horizontal bend	60°-179°	RAL 9006/anodised		piece	1812-003
04	OVAL 220 x 150 Lighting tube, T-piece	90°	RAL 9006/anodised		piece	1812-004
05	OVAL 220 x 150 Lighting tube, crossing	90°	RAL 9006/anodised		piece	1812-005
06	OVAL 220 x 150 Lighting tube, vertical bend	1°-90°	RAL 9006/anodised		piece	1812-006
07	OVAL 220 x 150 Blind cover		RAL 9006/anodised	L= as specified	m	1812-008
08	OVAL 220 x 150 Blind cover with cutout, opening width 110 mm		RAL 9006/anodised		piece	1812-013
09	OVAL 220 x 150 Loudspeaker kit incl. punched cover		RAL 9006/anodised	L= 500 mm	piece	1812-007
10	OVAL 220 x 150 Tube connectors (not shown)				piece	1812-009
11	OVAL 220 x 150 Luminaire installation kit (not shown)				piece	1812-012
12	OVAL 220 x 150 Rope suspension incl. mounting equipment			as specified	piece	1812-010
13	OVAL 220 x 150 Pendulum suspension incl. mounting equipment			as specified	piece	1812-011

Other lengths, surfaces, suspensions and components on enquiry. Subject to technical modifications and amendments. 12/2020





Description

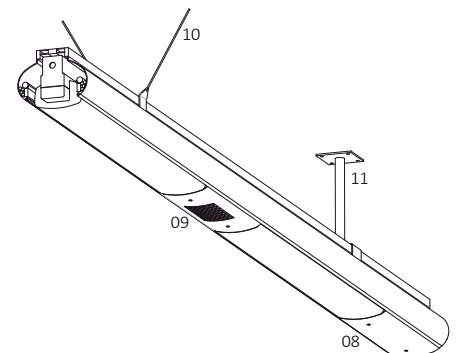
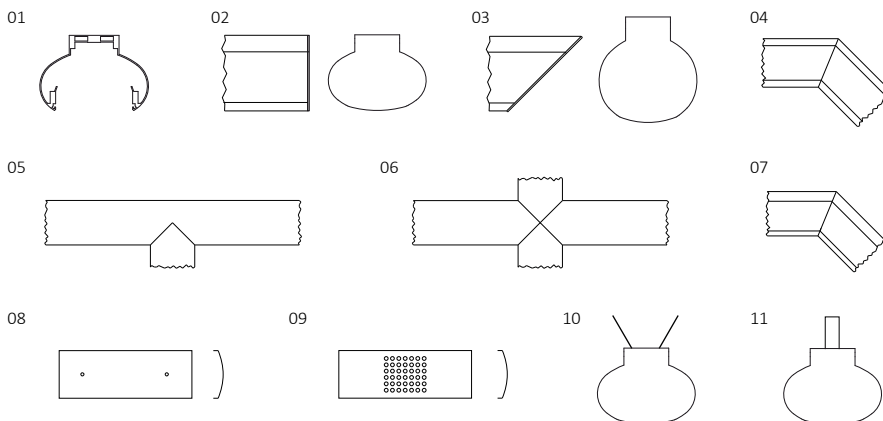
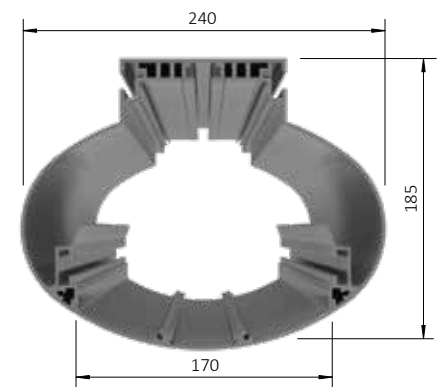
Tube system for the integration of luminaires, loudspeakers, cables and other components.

Design

- + Housing : extruded aluminium profile
- + Surface : chromium-free passivated and powder coated in RAL 9006, or anodised E6/EV1
- + Mounting : suspended

Technical Data

- + Cable trays : 2
- + Dimensions : 240 x 185,5 mm
- + Opening width : 170 mm
- + Weight : about 12 kg/m; depending on cables, luminaires and other components



Article	Description	Angle	Surface	Dimensions	Unit	Art.No.
01	OVAL 240 x 185 Lighting tube		RAL 9006/anodised	240 x 185 mm	m	1062-001
02	OVAL 240 x 185 End cover	90°	RAL 9006/anodised	240 x 185 mm	piece	1062-002
03	OVAL 240 x 185 End cover slanted	as specified	RAL 9006/anodised		piece	1062-003
04	OVAL 240 x 185 Lighting tube, horizontal bend	60°-179°	RAL 9006/anodised		piece	1062-004
05	OVAL 240 x 185 Lighting tube, T-piece	90°	RAL 9006/anodised		piece	1062-005
06	OVAL 240 x 185 Lighting tube, crossing	90°	RAL 9006/anodised		piece	1062-006
07	OVAL 240 x 185 Lighting tube, vertical bend	1°-90°	RAL 9006/anodised		piece	1062-007
08	OVAL 240 x 185 Blind cover		RAL 9006/anodised	L= as specified	m	1062-008
09	OVAL 240 x 185 Loudspeaker kit incl. punched cover		RAL 9006/anodised	L= 500 mm	piece	1062-009
10	OVAL 240 x 185 Rope suspension incl. mounting equipment			as specified	piece	1062-010
11	OVAL 240 x 185 Pendulum suspension incl. mounting equipment			as specified	piece	1062-011
12	OVAL 240 x 185 End cover with backlight (not shown)				piece	1062-012
13	OVAL 240 x 185 Tube connectors (not shown)				piece	1062-013
14	OVAL 240 x 185 Luminaire installation kit (not shown)				piece	1062-014

Other lengths, surfaces, suspensions and components on enquiry. Subject to technical modifications and amendments. 12/2020





Description

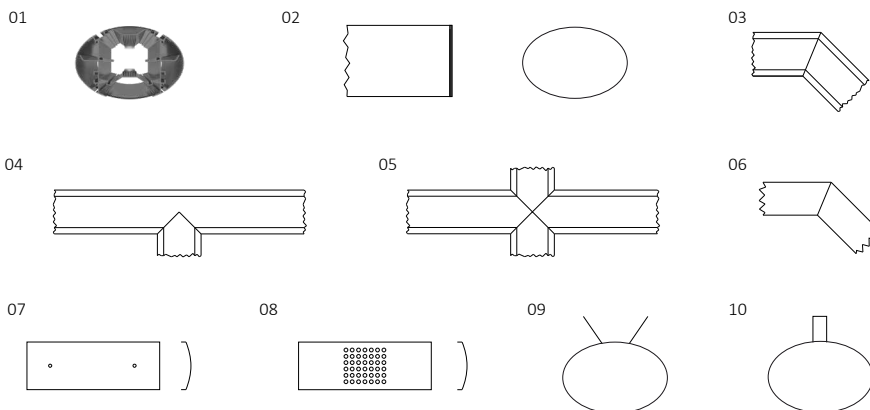
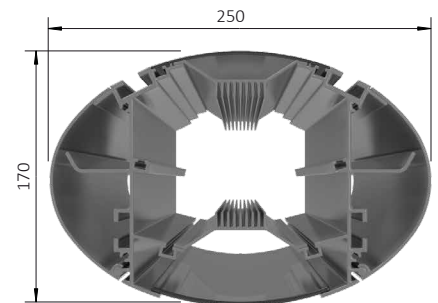
Lighting tube system with integrated direct and indirect LED luminaire inserts; lateral cable trays with hinged covers. Loudspeakers and further components are integrable.

Design

- + Housing : extruded aluminium profile
- + Surface : chromium-free passivated and powder coated in RAL 9006, or anodised E6/EV1
- + Mounting : suspended

Technical Data

- + Dimensions : 250 x 170 mm
- + Weight : about 14 kg/m; depending on cables, luminaires and other components



LED luminaires

- + Direct : 54W, 6270 lm, 4000 K, CRI 80+
- + Indirect : 27W, 3360 lm, 4000 K, CRI 80+
- + Operating dev. : 36 V DC, optionally dimmable
- + Light emission : symmetrisch oder asymmetrisch
- + Protection : IP42, SK II
- + Cover : PC fire resistant; optionally with diffuser or louvre

Article	Description	Angle	Surface	Dimensions	Unit	Art.No.
01	OVAL 250 x 170 Lighting tube		RAL 9006/anodised	250 x 170 mm	m	2679-001
02	OVAL 250 x 170 End cover	90°	RAL 9006/anodised	250 x 170 mm	piece	2679-002
03	OVAL 250 x 170 Lighting tube, horizontal bend	60°-179°	RAL 9006/anodised		piece	2679-004
04	OVAL 250 x 170 Lighting tube, T-piece	90°	RAL 9006/anodised		piece	2679-005
05	OVAL 250 x 170 Lighting tube, crossing	90°	RAL 9006/anodised		piece	2679-006
06	OVAL 250 x 170 Lighting tube, vertical bend	1°-90°	RAL 9006/anodised		piece	2679-007
07	OVAL 250 x 170 Blind cover		RAL 9006/anodised	L= as specified	m	2679-008
08	OVAL 250 x 170 Loudspeaker kit incl. punched cover		RAL 9006/anodised	L= 500 mm	piece	2679-009
09	OVAL 250 x 170 Rope suspension incl. mounting equipment			as specified	piece	2679-010
10	OVAL 250 x 170 Pendulum suspension incl. mounting equipment			as specified	piece	2679-012
11	OVAL 250 x 170 Luminaire insert direct (not shown)				piece	2679-013
12	OVAL 250 x 170 Luminaire insert indirect (not shown)				piece	2679-014
13	OVAL 250 x 170 Tube connectors (not shown)				piece	2679-015
14	OVAL 250 x 170 Continuous cable channel (not shown)				m	2679-016

Other lengths, surfaces, suspensions and components on enquiry. Subject to technical modifications and amendments. 12/2020





Description

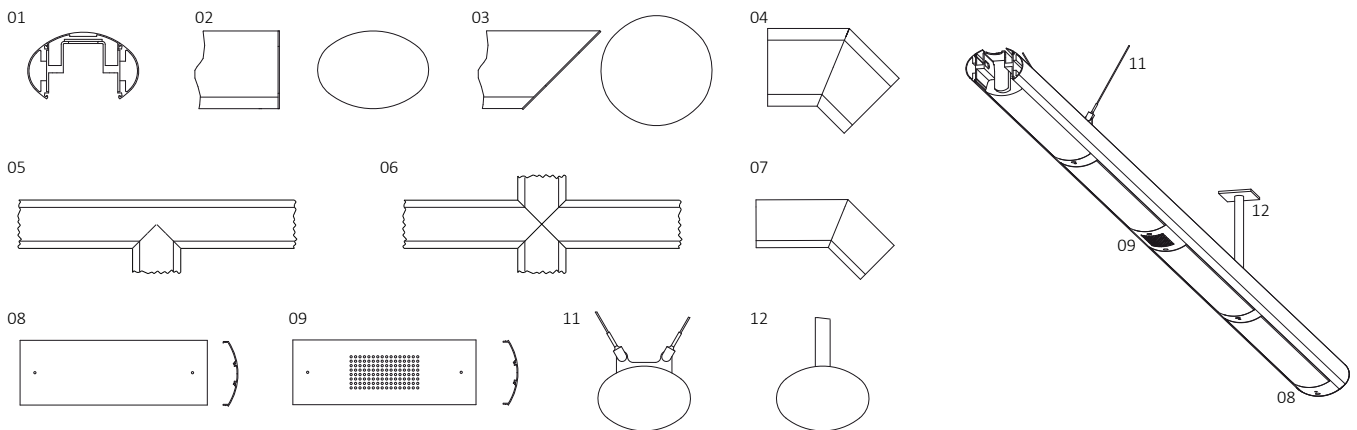
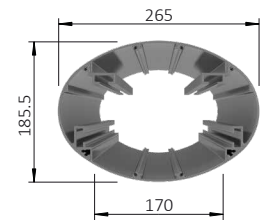
Tube system for the integration of luminaires, loudspeakers, cables and other components.

Design

- + Housing : extruded aluminium profile
- + Surface : chromium-free passivated and powder coated in RAL 9006, or anodised E6/EV1
- + Mounting : suspended

Technical Data

- + Cable trays : 2
- + Dimensions : 265 x 185,5 mm
- + Opening width : 170 mm
- + Weight : about 15 kg/m; depending on cables, luminaires and other components



Article	Description	Angle	Surface	Dimensions	Unit	Art.No.
01	OVAL 265 x 185 Lighting tube		RAL 9006/anodised	265 x 185 mm	m	2128-001
02	OVAL 265 x 185 End cover	90°	RAL 9006/anodised	265 x 185 mm	piece	2128-002
03	OVAL 265 x 185 End cover slanted	as specified	RAL 9006/anodised		piece	2128-003
04	OVAL 265 x 185 Lighting tube, horizontal bend	60°-179°	RAL 9006/anodised		piece	2128-004
05	OVAL 265 x 185 Lighting tube, T-piece	90°	RAL 9006/anodised		piece	2128-005
06	OVAL 265 x 185 Lighting tube, crossing	90°	RAL 9006/anodised		piece	2128-006
07	OVAL 265 x 185 Lighting tube, vertical bend	1°-90°	RAL 9006/anodised		piece	2128-007
08	OVAL 265 x 185 Blind cover		RAL 9006/anodised	L= as specified	m	2128-008
09	OVAL 265 x 185 Loudspeaker kit incl. punched cover		RAL 9006/anodised	L= 500 mm	piece	2128-009
10	OVAL 265 x 185 Tube connectors (not shown)				piece	2128-010
11	OVAL 265 x 185 Rope suspension incl. mounting equipment			as specified	piece	2128-011
12	OVAL 265 x 185 Pendulum suspension incl. mounting equipment			as specified	piece	2128-012

Other lengths, surfaces, suspensions and components on enquiry. Subject to technical modifications and amendments. 12/2020





Description

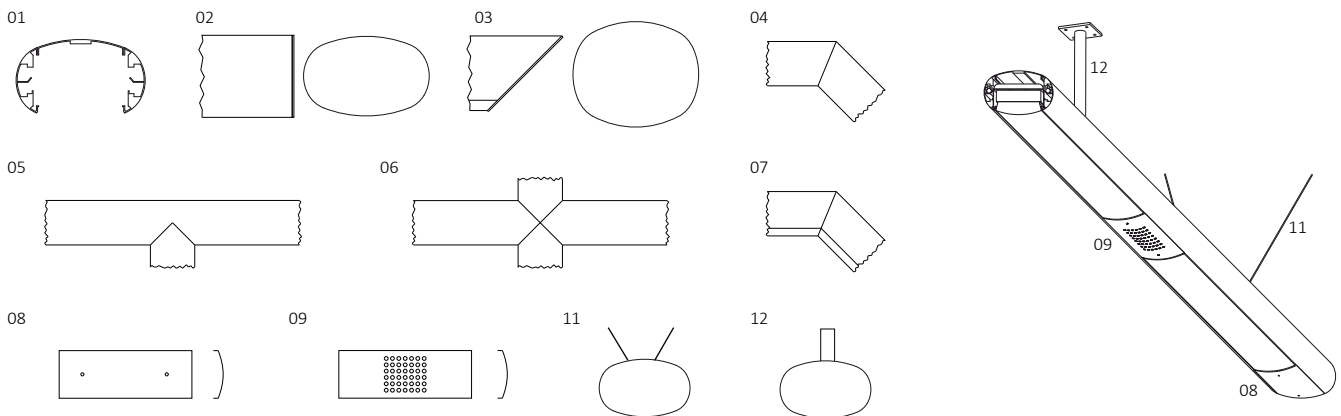
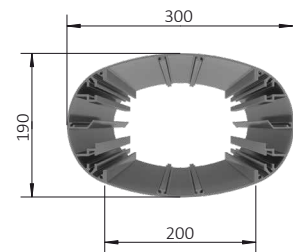
Tube system for the integration of luminaires, loudspeakers, cables and other components.

Design

- + Housing : extruded aluminium profile
- + Surface : chromium-free passivated and powder coated in RAL 9006, or anodised E6/EV1
- + Mounting : suspended

Technical Data

- + Cable trays : 2
- + Dimensions : 300 x 190 mm
- + Opening width : 200 mm
- + Weight : about 20 kg/m; depending on cables, luminaires and other components



Article	Description	Angle	Surface	Dimensions	Unit	Art.No.
01	OVAL 300 x 190 Lighting tube		RAL 9006/anodised	300 x 190 mm	m	2067-001
02	OVAL 300 x 190 End cover	90°	RAL 9006/anodised	300 x 190 mm	piece	2067-002
03	OVAL 300 x 190 End cover slanted	as specified	RAL 9006/anodised		piece	2067-003
04	OVAL 300 x 190 Lighting tube, horizontal bend	60°-179°	RAL 9006/anodised		piece	2067-004
05	OVAL 300 x 190 Lighting tube, T-piece	90°	RAL 9006/anodised		piece	2067-005
06	OVAL 300 x 190 Lighting tube, crossing	90°	RAL 9006/anodised		piece	2067-006
07	OVAL 300 x 190 Lighting tube, vertical bend	1°-90°	RAL 9006/anodised		piece	2067-007
08	OVAL 300 x 190 Blind cover		RAL 9006/anodised	L= as specified	m	2067-008
09	OVAL 300 x 190 Loudspeaker kit incl. punched cover		RAL 9006/anodised	L= 500 mm	piece	2067-009
10	OVAL 300 x 190 Tube connectors (not shown)				piece	2067-012
11	OVAL 300 x 190 Rope suspension incl. mounting equipment			as specified	piece	2067-010
12	OVAL 300 x 190 Pendulum suspension incl. mounting equipment			as specified	piece	2067-011

Other lengths, surfaces, suspensions and components on enquiry. Subject to technical modifications and amendments. 12/2020





Description

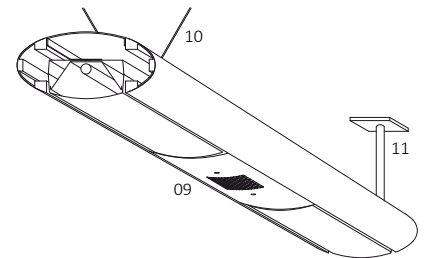
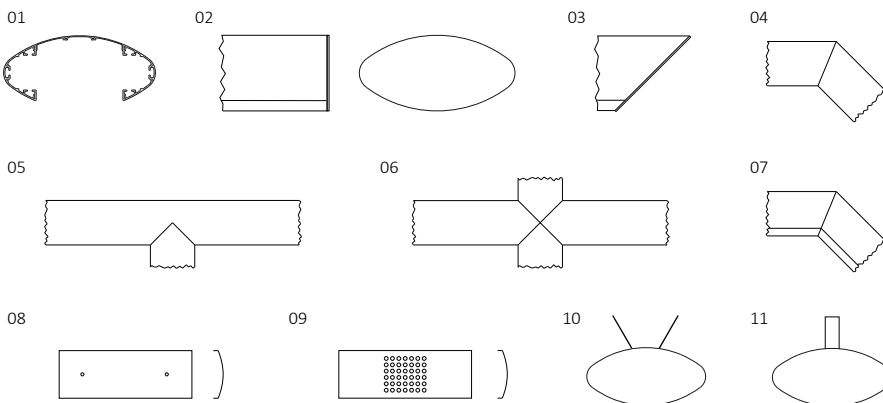
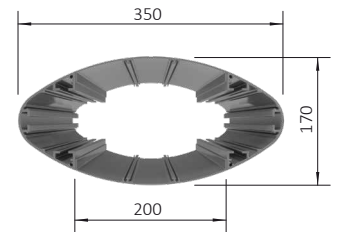
Tube system for the integration of luminaires, loudspeakers, cables and other components.

Design

- + Housing : extruded aluminium profile
- + Surface : chromium-free passivated and powder coated in RAL 9006, or anodised E6/EV1
- + Mounting : suspended

Technical Data

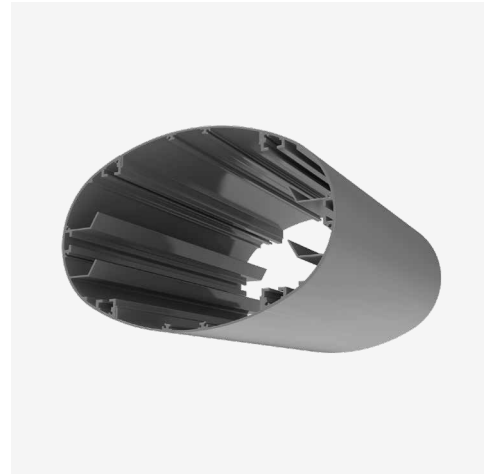
- + Cable trays : 4
- + Dimensions : 350 x 170 mm
- + Opening width : 200 mm
- + Weight : about 16 kg/m; depending on cables, luminaires and other components



Article	Description	Angle	Surface	Dimensions	Unit	Art.No.
01	OVAL 350 x 170 Lighting tube		RAL 9006/anodised	350 x 170 mm	m	1073-001
02	OVAL 350 x 170 End cover	90°	RAL 9006/anodised	350 x 170 mm	piece	1073-002
03	OVAL 350 x 170 End cover slanted	as specified	RAL 9006/anodised		piece	1073-003
04	OVAL 350 x 170 Lighting tube, horizontal bend	60°-179°	RAL 9006/anodised		piece	1073-004
05	OVAL 350 x 170 Lighting tube, T-piece	90°	RAL 9006/anodised		piece	1073-005
06	OVAL 350 x 170 Lighting tube, crossing	90°	RAL 9006/anodised		piece	1073-006
07	OVAL 350 x 170 Lighting tube, vertical bend	1°-90°	RAL 9006/anodised		piece	1073-007
08	OVAL 350 x 170 Blind cover		RAL 9006/anodised		m	1073-008
09	OVAL 350 x 170 Loudspeaker kit incl. punched cover		RAL 9006/anodised	L= as specified	piece	1073-009
10	OVAL 350 x 170 Rope suspension incl. mounting equipment			L= 500 mm	piece	1073-010
11	OVAL 350 x 170 Pendulum suspension incl. mounting equipment			as specified	piece	1073-011
12	OVAL 350 x 170 Tube connectors (not shown)			as specified	piece	1073-012

Other lengths, surfaces, suspensions and components on enquiry. Subject to technical modifications and amendments. 12/2020





Description

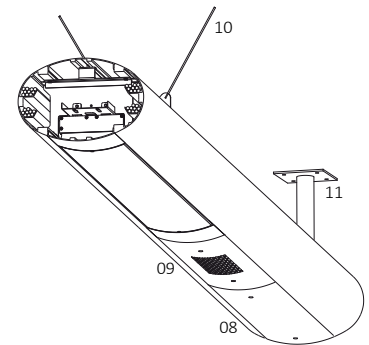
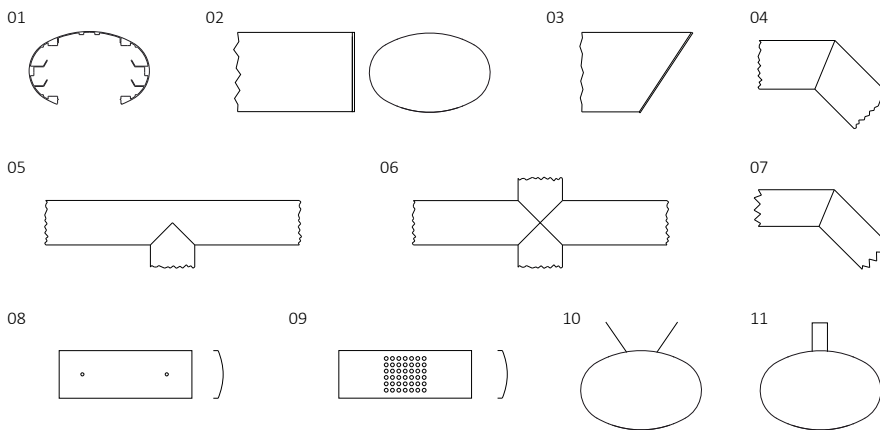
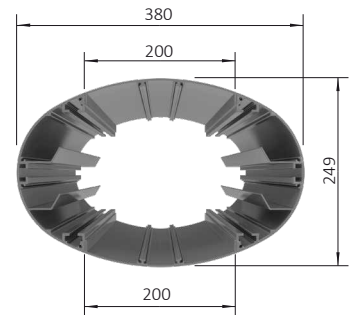
Tube system for the integration of luminaires, loudspeakers, cables and other components.

Design

- + Housing : extruded aluminium profile
- + Surface : chromium-free passivated and powder coated in RAL 9006, or anodised E6/EV1
- + Mounting : suspended

Technical Data

- + Cable trays : 4
- + Dimensions : 380 x 249 mm
- + Opening width : 200 mm
- + Weight : about 20 kg/m; depending on cables, luminaires and other components



Article	Description	Angle	Surface	Dimensions	Unit	Art.No.
01	OVAL 380 x 249 Lighting tube		RAL 9006/anodised	380 x 249 mm	m	1063-001
02	OVAL 380 x 249 End cover	90°	RAL 9006/anodised	380 x 249 mm	piece	1063-002
03	OVAL 380 x 249 End cover slanted	as specified	RAL 9006/anodised		piece	1063-003
04	OVAL 380 x 249 Lighting tube, horizontal bend	60°-179°	RAL 9006/anodised		piece	1063-004
05	OVAL 380 x 249 Lighting tube, T-piece	90°	RAL 9006/anodised		piece	1063-005
06	OVAL 380 x 249 Lighting tube, crossing	90°	RAL 9006/anodised		piece	1063-006
07	OVAL 380 x 249 Lighting tube, vertical bend	1°-90°	RAL 9006/anodised		piece	1063-007
08	OVAL 380 x 249 Blind cover		RAL 9006/anodised	L= as specified	m	1063-008
09	OVAL 380 x 249 Loudspeaker kit incl. punched cover		RAL 9006/anodised	L= 500 mm	piece	1063-009
10	OVAL 380 x 249 Rope suspension incl. mounting equipment			as specified	piece	1063-010
11	OVAL 380 x 249 Pendulum suspension incl. mounting equipment			as specified	piece	1063-011
12	OVAL 380 x 249 End cover with backlight (not shown)				piece	1063-012
13	OVAL 380 x 249 Tube connectors (not shown)				piece	1063-013
14	OVAL 380 x 249 Luminaire installation kit (not shown)				piece	1063-014
15	OVAL 380 x 249 Continuous cable tray (not shown)				m	1063-015

Other lengths, surfaces, suspensions and components on enquiry. Subject to technical modifications and amendments. 12/2020



SQUARE 168 x 200mm Lighting Tube 1961



Description

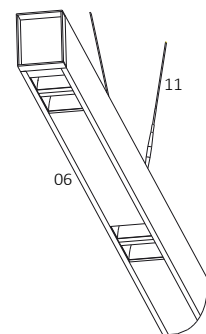
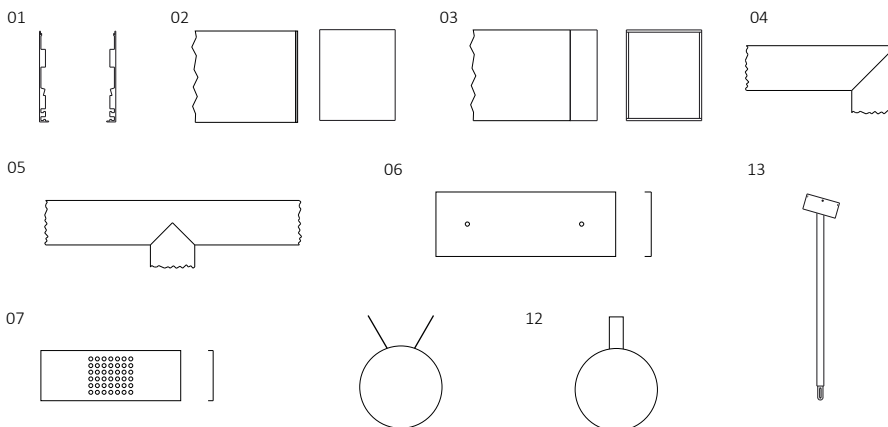
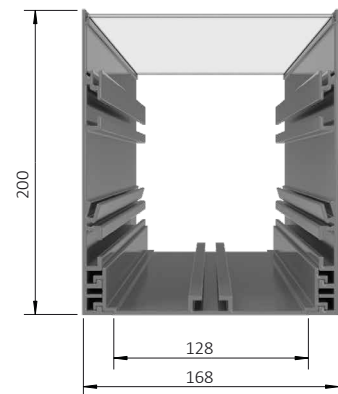
Tube system for the integration of luminaires, loudspeakers, cables and other components.

Design

- + Housing : extruded aluminium profile
- + Surface : chromium-free passivated and powder coated in RAL 9006, or anodised E6/EV1
- + Mounting : suspended

Technical Data

- + Dimensions : 168 x 200 mm
- + Opening width : 128 mm
- + Weight : about 18 kg/m; depending on cables, luminaires and other components



Article	Description	Angle	Surface	Dimensions	Unit	Art.No.
01	SQUARE 168 x 200 Lighting tube		RAL 9006/anodised	168 x 200 mm	m	1961-401
02	SQUARE 168 x 200 End cover, plain		RAL 9006/anodised	168 x 200 mm	piece	1961-402
03	SQUARE 168 x 200 End cover with rim		RAL 9006/anodised	168 x 200 mm	piece	1961-010
04	SQUARE 168 x 200 Lighting tube, horizontal bend	90°	RAL 9006/anodised		piece	1961-411
05	SQUARE 168 x 200 Lighting tube, T-piece	90°	RAL 9006/anodised		piece	1961-412
06	SQUARE 168 x 200 Blind cover		RAL 9006/anodised	L= as specified	m	1961-403
07	SQUARE 168 x 200 Loudspeaker kit incl. punched cover		RAL 9006/anodised	L= 500 mm	piece	1961-409
08	SQUARE 168 x 200 Tube connectors (not shown)				piece	1961-410
09	SQUARE 168 x 200 Luminaire insert, top (not shown)				piece	1961-407
10	SQUARE 168 x 200 Luminaire insert, bottom (not shown)				piece	1961-408
11	SQUARE 168 x 200 Rope suspension incl. mounting equipment			as specified	piece	1961-404
12	SQUARE 168 x 200 Pendulum suspension incl. mounting equipment			as specified	piece	1961-405
13	SQUARE 168 x 200 Cable conduit with canopy				piece	1961-406

Other lengths, surfaces, suspensions and components on enquiry. Subject to technical modifications and amendments. 12/2020



SQUARE 230 x 230mm Lighting Tube 2115



Description

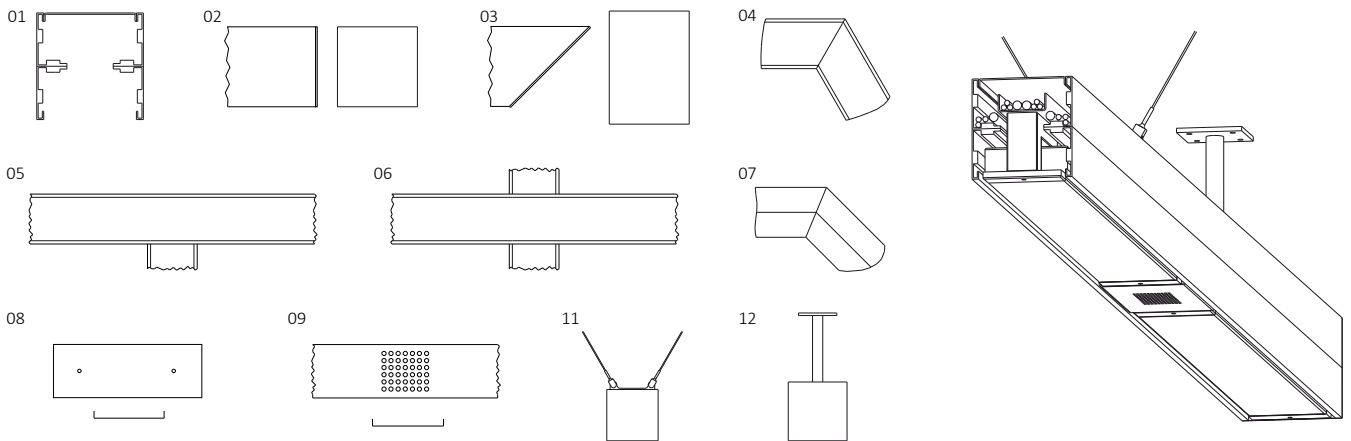
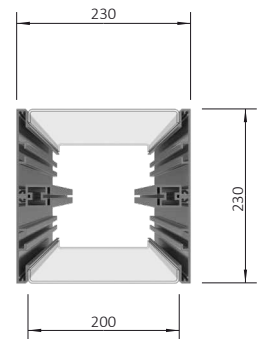
Tube system for the integration of luminaires, loudspeakers, cables and other components.

Design

- + Housing : extruded aluminium profile
- + Surface : chromium-free passivated and powder coated in RAL 9006, or anodised E6/EV1
- + Mounting : suspended

Technical Data

- + Cable trays : 3
- + Dimensions : 230 x 230 mm; also available in half height, see system 2119-5
- + Opening width : 200 mm
- + Weight : about 38 kg/m; depending on cables, luminaires and other components

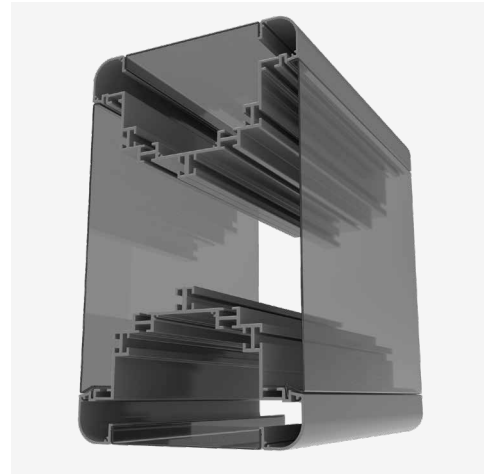


Article	Description	Angle	Surface	Dimensions	Unit	Art.No.
01	SQUARE 230 x 230 Lighting tube		RAL 9006/anodised	230 x 230 mm	m	2119-001
02	SQUARE 230 x 230 End cover	90°	RAL 9006/anodised	230 x 230 mm	piece	2119-002
03	SQUARE 230 x 230 End cover slanted	as specified	RAL 9006/anodised		piece	2119-003
04	SQUARE 230 x 230 Lighting tube, horizontal bend	60°-179°	RAL 9006/anodised		piece	2119-004
05	SQUARE 230 x 230 Lighting tube, T-piece	90°	RAL 9006/anodised		piece	2119-005
06	SQUARE 230 x 230 Lighting tube, crossing	90°	RAL 9006/anodised		piece	2119-006
07	SQUARE 230 x 230 Lighting tube, vertical bend	1°-90°	RAL 9006/anodised		piece	2119-007
08	SQUARE 230 x 230 Blind cover		RAL 9006/anodised	L= as specified	m	2119-008
09	SQUARE 230 x 230 Loudspeaker kit incl. punched cover		RAL 9006/anodised	L= 500 mm	piece	2119-009
10	SQUARE 230 x 230 Tube connectors (not shown)				piece	2119-010
11	SQUARE 230 x 230 Pendulum suspension incl. mounting equipment			as specified	piece	2119-011
12	SQUARE 230 x 230 Rope suspension incl. mounting equipment			as specified	piece	2119-012

Other lengths, surfaces, suspensions and components on enquiry. Subject to technical modifications and amendments. 12/2020



SQUARE 300 x 500mm Lighting Tube 1068



Description

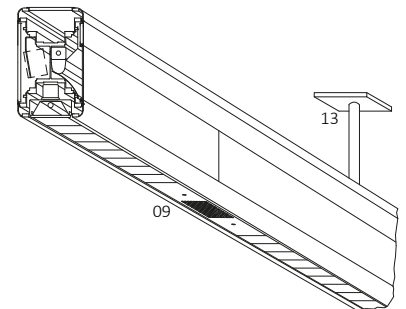
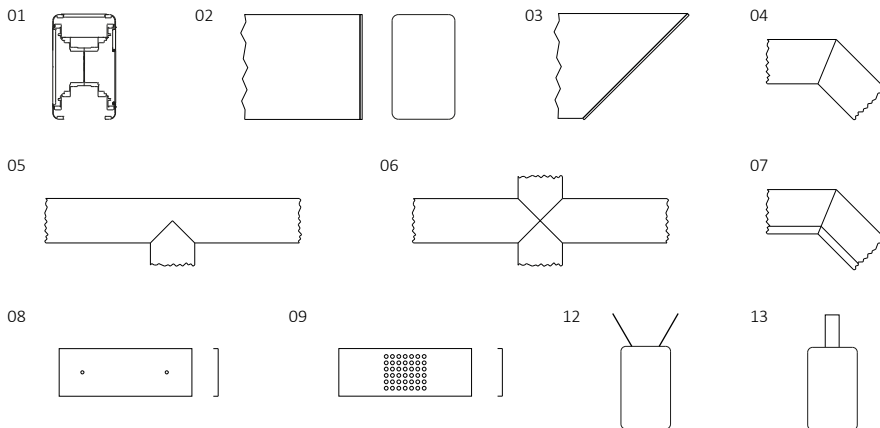
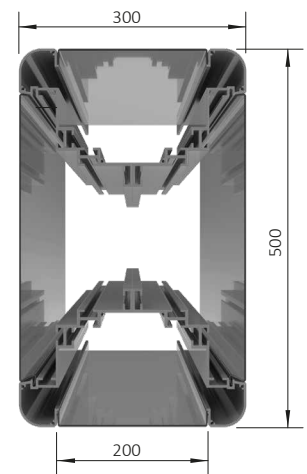
Tube system for the integration of luminaires, loudspeakers, cables and other components.

Design

- + Housing : extruded aluminium profile with internal support elements
- + Surface : chromium-free passivated and powder coated in RAL 9006, or anodised E6/EV1
- + Mounting : suspended

Technical Data

- + Cable trays : 2
- + Dimensions : 300 x 500 mm
- + Opening width : 200 mm
- + Weight : about 30 kg/m; depending on cables, luminaires and other components



Article	Description	Angle	Surface	Dimensions	Unit	Art.No.
01	SQUARE 300 x 500 Lighting tube		RAL 9006/anodised	300 x 500 mm	m	1068-001
02	SQUARE 300 x 500 End cover	90°	RAL 9006/anodised	300 x 500 mm	piece	1068-002
03	SQUARE 300 x 500 End cover slanted	as specified	RAL 9006/anodised		piece	1068-003
04	SQUARE 300 x 500 Lighting tube, horizontal bend	60°-179°	RAL 9006/anodised		piece	1068-004
05	SQUARE 300 x 500 Lighting tube, T-piece	90°	RAL 9006/anodised		piece	1068-005
06	SQUARE 300 x 500 Lighting tube, crossing	90°	RAL 9006/anodised		piece	1068-006
07	SQUARE 300 x 500 Lighting tube, vertical bend	1°-90°	RAL 9006/anodised		piece	1068-007
08	SQUARE 300 x 500 Blind cover		RAL 9006/anodised	L= as specified	m	1068-008
09	SQUARE 300 x 500 Loudspeaker kit incl. punched cover		RAL 9006/anodised	L= 500 mm	piece	1068-009
10	SQUARE 300 x 500 Tube connectors (not shown)				piece	1068-010
11	SQUARE 300 x 500 Luminaire installation kit (not shown)				piece	1068-011
12	SQUARE 300 x 500 Rope suspension incl. mounting equipment			as specified	piece	1068-012
13	SQUARE 300 x 500 Pendulum suspension incl. mounting equipment			as specified	piece	1068-013

Other lengths, surfaces, suspensions and components on enquiry. Subject to technical modifications and amendments. 12/2020



SQUARE 300 x 524mm Lighting Tube 2127



Description

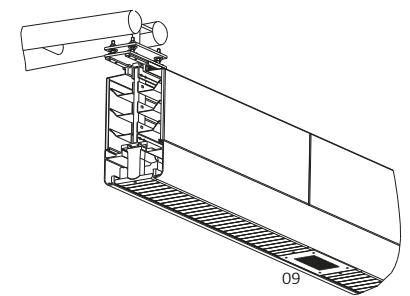
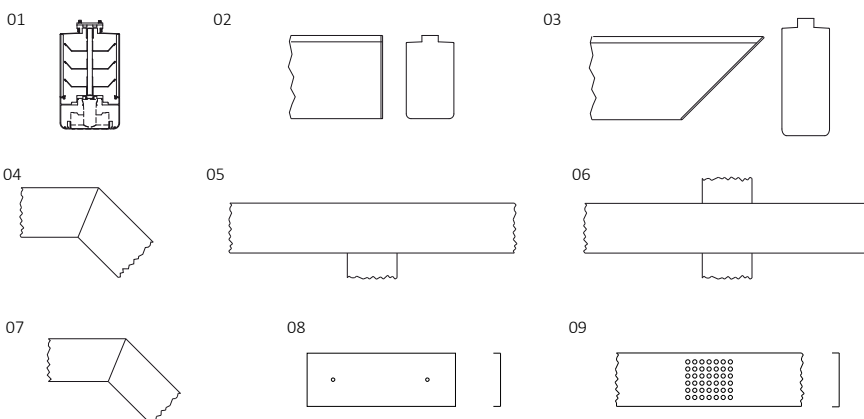
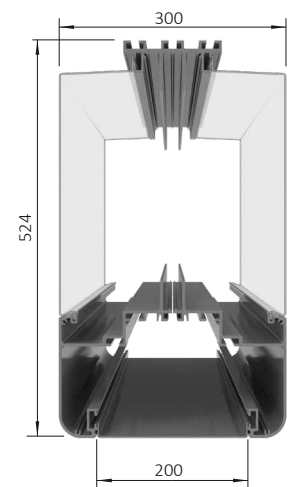
Tube system for the integration of luminaires, loudspeakers, cables and other components.

Design

- + Housing : extruded aluminium profile, steel elements
- + Surface : chromium-free passivated and powder coated in RAL 9006, or anodised E6/EV1
- + Mounting : suspended or cantilever arm mounting

Technical Data

- + Cable trays : standardly 6, optionally also more or less trays feasible
- + Dimensions : 300 x 524 mm
- + Opening width : 200 mm
- + Weight : about 56 kg/m; depending on cables, luminaires and other components



Article	Description	Angle	Surface	Dimensions	Unit	Art.No.
01	SQUARE 300 x 524 Lighting tube		RAL 9006/anodised	300 x 524 mm	m	2127-001
02	SQUARE 300 x 524 End cover	90°	RAL 9006/anodised	300 x 524 mm	piece	2127-002
03	SQUARE 300 x 524 End cover slanted	as specified	RAL 9006/anodised		piece	2127-003
04	SQUARE 300 x 524 Lighting tube, horizontal bend	60°-179°	RAL 9006/anodised		piece	2127-004
05	SQUARE 300 x 524 Lighting tube, T-piece	90°	RAL 9006/anodised		piece	2127-005
06	SQUARE 300 x 524 Lighting tube, crossing	90°	RAL 9006/anodised		piece	2127-006
07	SQUARE 300 x 524 Lighting tube, vertical bend	1°-90°	RAL 9006/anodised		piece	2127-007
08	SQUARE 300 x 524 Blind cover		RAL 9006/anodised	L= as specified	m	2127-008
09	SQUARE 300 x 524 Loudspeaker kit incl. punched cover		RAL 9006/anodised	L= 500 mm	piece	2127-009
10	SQUARE 300 x 524 Tube connectors (not shown)				piece	2127-010
11	SQUARE 300 x 524 Luminaire installation kit (not shown)				piece	2127-011
12	SQUARE 300 x 524 Cantilever arm attachment kit incl. mounting equipment				piece	2127-012

Other lengths, surfaces, suspensions and components on enquiry. Subject to technical modifications and amendments. 12/2020





Description

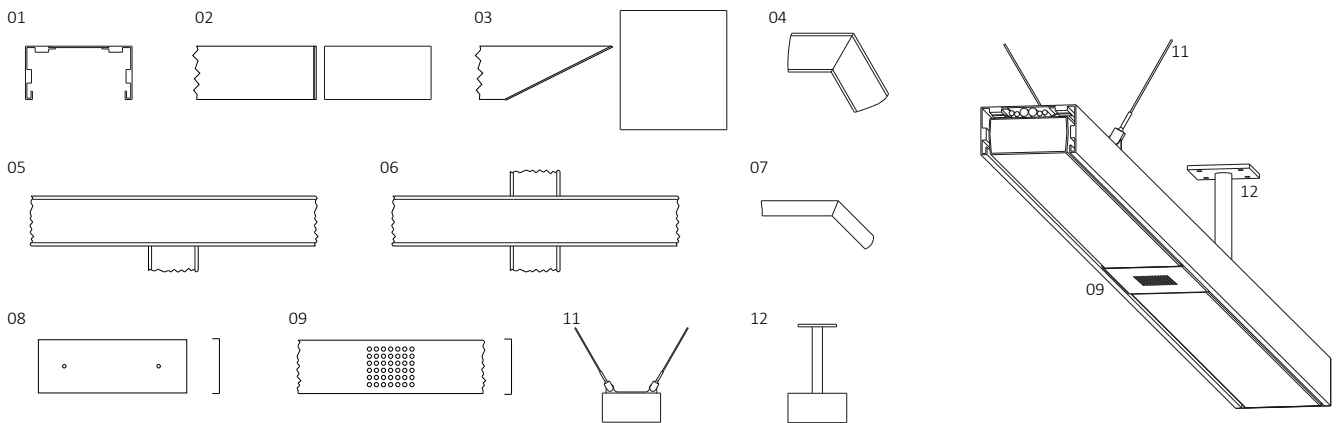
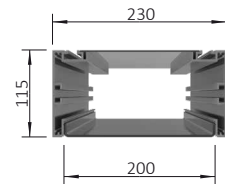
Tube system with extra low height, for the integration of luminaires, loudspeakers, cables etc.

Design

- + Housing : extruded aluminium profile
- + Surface : chromium-free passivated and powder coated in RAL 9006, or anodised E6/EV1
- + Mounting : surface mounted to ceilings or walls, or suspended

Technical Data

- + Cable trays : 1
- + Dimensions : 230 x 115 mm; also available in double height, see system 2119
- + Opening width : 200 mm
- + Weight : about 19 kg/m; depending on cables, luminaires and other components



Article	Description	Angle	Surface	Dimensions	Unit	Art.No.
01	FLAT 230 x 115		RAL 9006/anodised	230 x 115 mm	m	2119-501
02	FLAT 230 x 115	90°	RAL 9006/anodised	230 x 115 mm	piece	2119-502
03	FLAT 230 x 115	as specified	RAL 9006/anodised		piece	2119-503
04	FLAT 230 x 115	60°-179°	RAL 9006/anodised		piece	2119-504
05	FLAT 230 x 115	90°	RAL 9006/anodised		piece	2119-505
06	FLAT 230 x 115	90°	RAL 9006/anodised		piece	2119-506
07	FLAT 230 x 115	1°-90°	RAL 9006/anodised		piece	2119-507
08	FLAT 230 x 115		RAL 9006/anodised	L= as specified	m	2119-508
09	FLAT 230 x 115		RAL 9006/anodised	L= 500 mm	piece	2119-509
10	FLAT 230 x 115				piece	2119-510
11	FLAT 230 x 115			as specified	piece	2119-511
12	FLAT 230 x 115			as specified	piece	2119-512

Other lengths, surfaces, suspensions and components on enquiry. Subject to technical modifications and amendments. 12/2020





Description

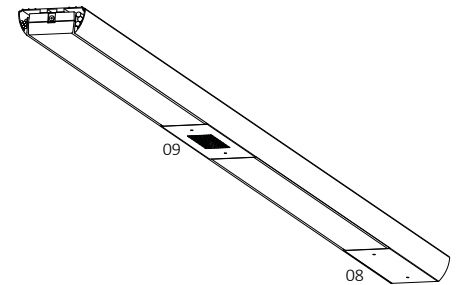
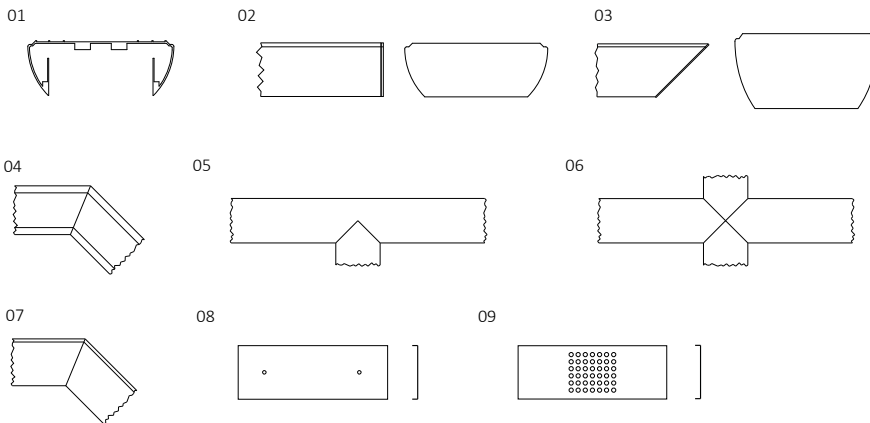
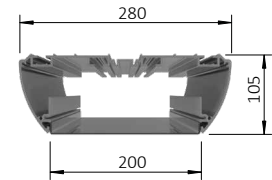
Lighting tube system with extra low height, for the integration of luminaires, loudspeakers, cables and other components. Also available with cambered blind covers.

Design

- + Housing : extruded aluminium profile
- + Surface : chromium-free passivated and powder coated in RAL 9006, or anodised E6/EV1
- + Mounting : surface mounted to ceilings or walls, optionally suspended

Technical Data

- + Cable trays : 2
- + Dimensions : 280 x 105 mm
- + Opening width : 200 mm
- + Weight : about 10 kg/m; depending on cables, luminaires and other components



Article	Description	Angle	Surface	Dimensions	Unit	Art.No.
01 FLAT 280 x 105	Lighting tube		RAL 9006/anodised	280 x 105 mm	m	1061-001
02 FLAT 280 x 105	End cover	90°	RAL 9006/anodised	280 x 105 mm	piece	1061-002
03 FLAT 280 x 105	End cover slanted	as specified	RAL 9006/anodised		piece	1061-003
04 FLAT 280 x 105	Lighting tube, horizontal bend	60°-179°	RAL 9006/anodised		piece	1061-004
05 FLAT 280 x 105	Lighting tube, T-piece	90°	RAL 9006/anodised		piece	1061-005
06 FLAT 280 x 105	Lighting tube, crossing	90°	RAL 9006/anodised		piece	1061-006
07 FLAT 280 x 105	Lighting tube, vertical bend	1°-90°	RAL 9006/anodised		piece	1061-007
08 FLAT 280 x 105	Blind cover		RAL 9006/anodised	L= as specified	m	1061-008
09 FLAT 280 x 105	Loudspeaker kit incl. punched cover		RAL 9006/anodised	L= 500 mm	piece	1061-009
10 FLAT 280 x 105	Tube connectors (not shown)				piece	1061-010
11 FLAT 280 x 105	Luminaire installation kit (not shown)				piece	1061-011

Other lengths, surfaces, suspensions and components on enquiry. Subject to technical modifications and amendments. 12/2020



HANDRAIL \varnothing 48 mm light inserts integrated



Description

Handrail system with integrated LED luminaire inserts and operating units, feeding 230V.

Design

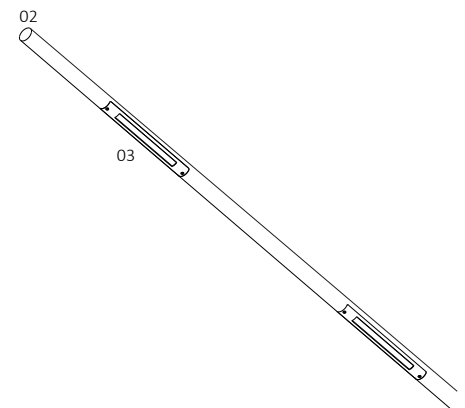
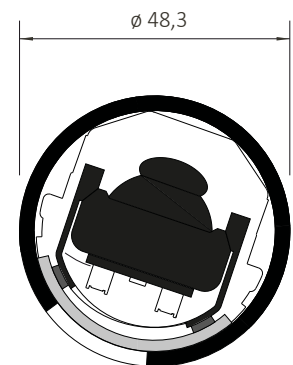
- + Housing : Stainless steel V4A
- + Surface : grinded, grit 240
- + luminaire inserts : flush-mounted

Technical Data

- + Dimensions : \varnothing 48,3 mm
- + Weight : about 3 kg/m; depending on the quantity of luminaire inserts

LED luminaires:

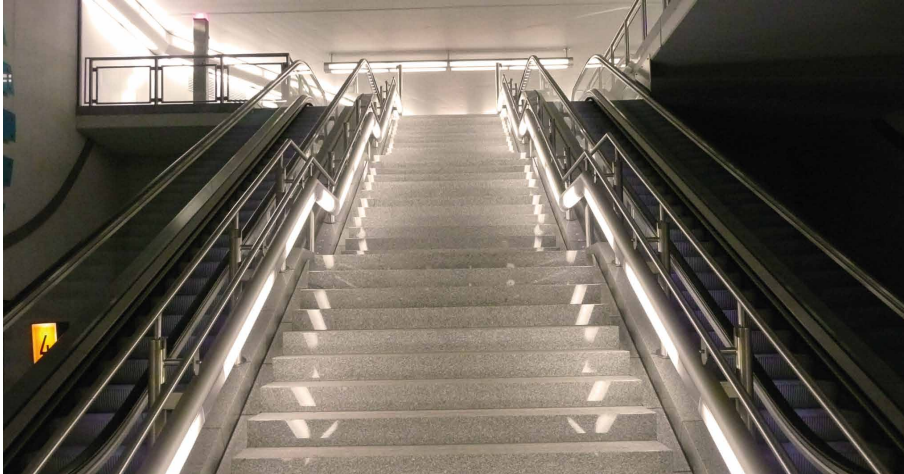
- + Syst. performance : 8,25 W
- + Luminous flux : 980 lm
- + Light colour : 4000 K,
- + Colour rendering : CRI 80+
- + Trafo : 24 V
- + Protection class : IP 54, SK III
- + Cover : PC
- + Light emission : Optionally assymmetric with microstructure layer
- + Dimensions : L= 400 mm
- + Luminaire spacing : min. 800 mm



Article	Description	Angle	Surface	Dimensions	Unit	Art.No.
01 HANDRAIL \varnothing 48	Handrail tube, stainless steel V4A		grinded, grit 240	\varnothing 48,3 mm	m	2590-130
02 HANDRAIL \varnothing 48	End cover	90°	grinded, grit 240		piece	2590-140
03 HANDRAIL \varnothing 48	LED luminaire insert with cover		grinded, grit 240	L= 400mm	piece	2590-005
04 HANDRAIL \varnothing 48	Trafo unit, integrated, completely (not shown)				piece	2590-012
05 HANDRAIL \varnothing 48	Tactile marking at the end of the handrail				piece	2590-150

Other LED inserts, mounting types and accessories on enquiry. Subject to technical modifications and amendments. 12/2020





Description

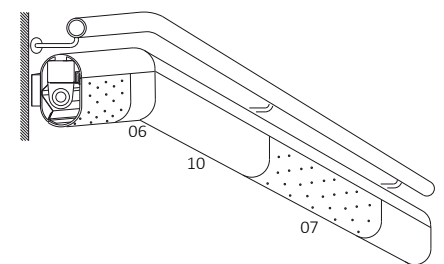
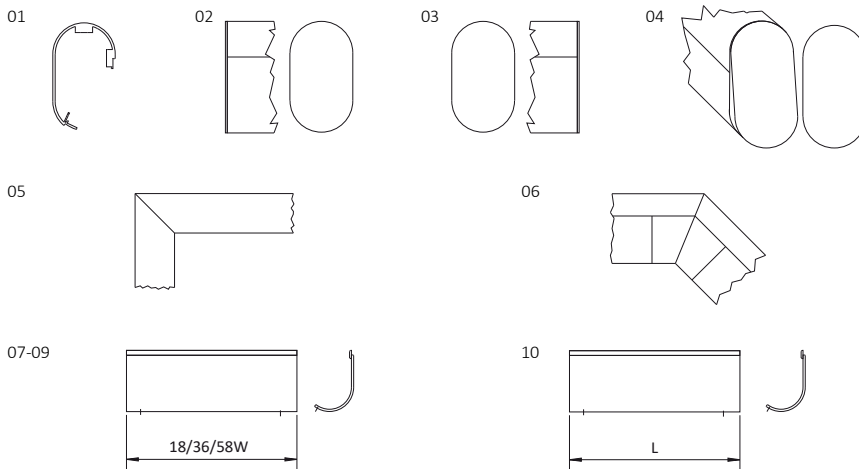
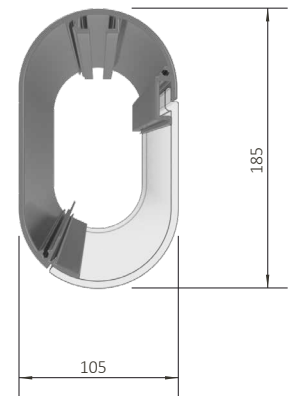
Tube system for staircase lighting, mounted underneath a separate handle bar. Suitable for the integration of luminaires, cables and other components.

Design

- + Housing : Extruded aluminium profile
- + Surface : Chromium free passivated and powder coated in RAL 9006, or anodised E6/EV1
- + Cover : Luminaire covers made of PC. Makrolon pearled (opal on enquiry)
- + Mounting : Surface mounting

Technical Data

- + Dimensions : 105 x 240 mm
- + Weight : about 10 kg/m; depending on cables, luminaires and other components.



Article	Description	Angle	Surface	Dimensions	Unit	Art.No.
01 HANDRAIL 185x105	Tube profile		coated / anodised	240 x 105 mm	m	1079-001
02 HANDRAIL 185x105	End cover, left side	90°	coated / anodised		piece	1079-002
03 HANDRAIL 185x105	End cover, right side	90°	coated / anodised		piece	1079-003
04 HANDRAIL 185x105	End cover slant	as specified	coated / anodised		piece	1079-004
05 HANDRAIL 185x105	Handrail profile, horizontal bend	1°-120°	coated / anodised		piece	1079-005
06 HANDRAIL 185x105	Handrail profile, vertical bend	1°-120°	coated / anodised		piece	1079-006
07 HANDRAIL 185x105	Luminaire cover 18W		coated / anodised		piece	1079-007
08 HANDRAIL 185x105	Luminaire cover 36W		coated / anodised		piece	1079-008
09 HANDRAIL 185x105	Luminaire cover 58W		coated / anodised		piece	1079-009
10 HANDRAIL 185x105	Blind cover		coated / anodised	L= as specified	m	1079-010
11 HANDRAIL 185x105	Profile connector (not shown)				piece	1079-011
12 HANDRAIL 185x105	Fixing set for wall mounting (not shown)				piece	1079-012
13 HANDRAIL 185x105	Tactile marking at the end of the handrail				piece	1079-013

The upper handle bar must be ordered separately. Other lengths, surfaces, suspensions and components on enquiry. Subject to technical modifications and amendments. 12/2020





Description

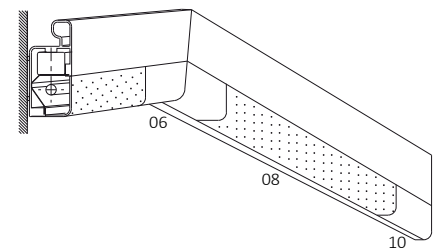
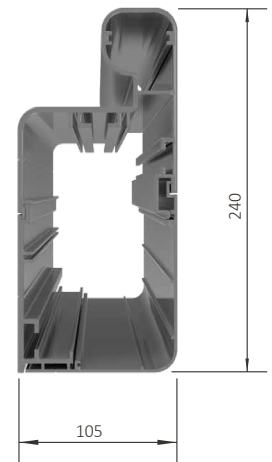
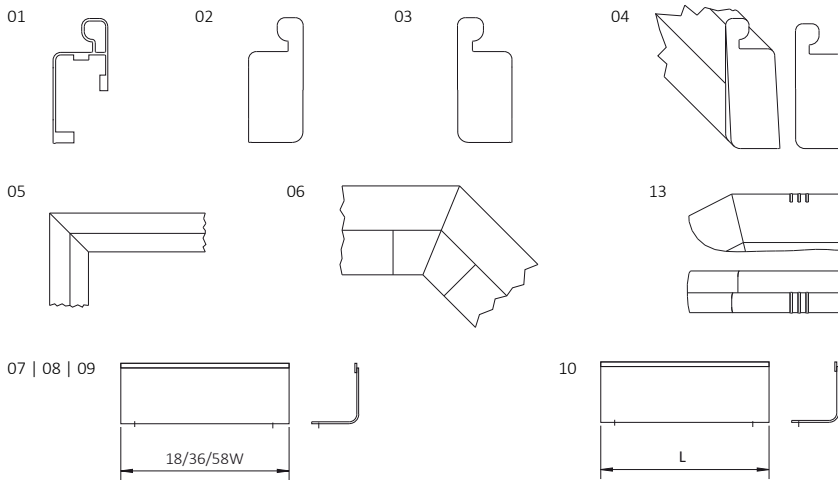
Handrail system for the integration of luminaires, cables and other components.

Design

- + Housing : Extruded aluminium profile
- + Surface : Chromium free passivated and powder coated in RAL 9006, or anodised E6/EV1
- + Cover : Luminaire covers made of PC. Makrolon pearled (opal on enquiry)
- + Mounting : Surface mounting

Technical Data

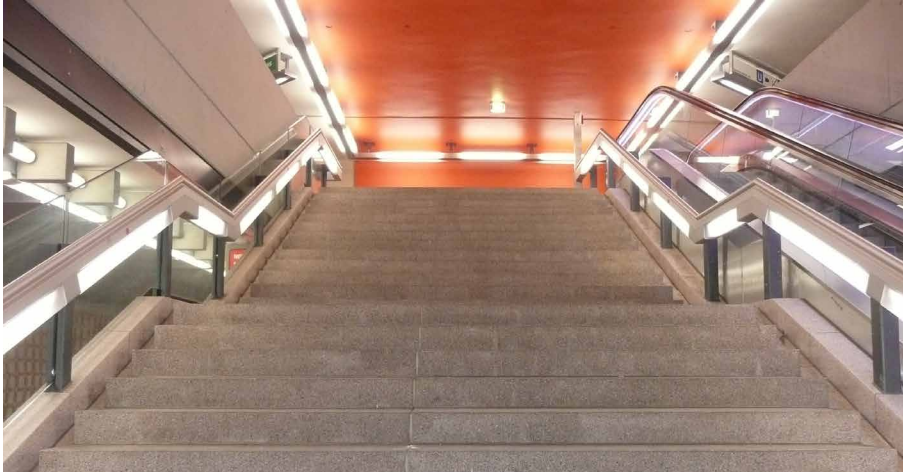
- + Dimensions : 105 x 240 mm
- + Weight : about 10 kg/m; depending on cables, luminaires and other components.



Article	Description	Angle	Surface	Dimensions	Unit	Art.No.
01	HANDRAIL 240x105		coated / anodised	240 x 105 mm	m	1078-001
02	HANDRAIL 240x105	90°	coated / anodised		piece	1078-502
03	HANDRAIL 240x105	90°	coated / anodised		piece	1078-503
04	HANDRAIL 240x105	as specified	coated / anodised		piece	1078-504
05	HANDRAIL 240x105	1°-120°	coated / anodised		piece	1078-505
06	HANDRAIL 240x105	1°-120°	coated / anodised		piece	1078-506
07	HANDRAIL 240x105		coated / anodised		piece	1078-507
08	HANDRAIL 240x105		coated / anodised		piece	1078-508
09	HANDRAIL 240x105		coated / anodised		piece	1078-509
10	HANDRAIL 240x105		coated / anodised	L= as specified	m	1078-510
11	HANDRAIL 240x105				piece	1078-511
12	HANDRAIL 240x105				piece	1078-512
13	HANDRAIL 240x105				piece	1078-513

Other lengths, surfaces, suspensions and components on enquiry. Subject to technical modifications and amendments. 12/2020





Description

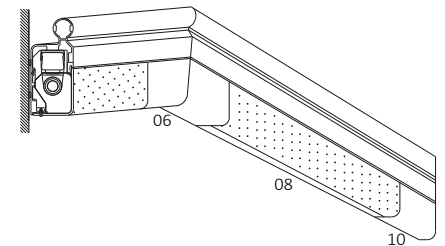
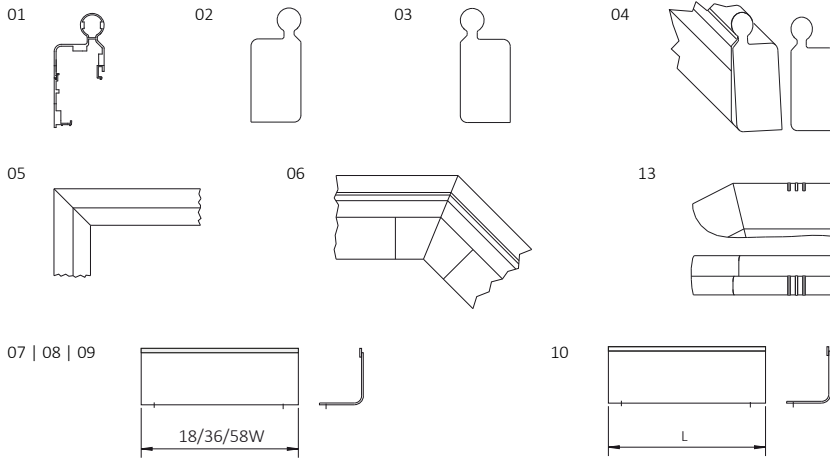
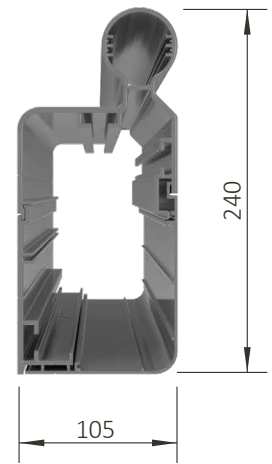
Handrail system for the integration of luminaires, cables and other components.

Design

- + Housing : Extruded aluminium profile
- + Surface : Chromium free passivated and powder coated in RAL 9006, or anodised E6/EV1
- + Cover : Luminaire covers made of PC. Makrolon pearled (opal on enquiry)
- + Mounting : Surface mounting

Technical Data

- + Dimensions : 105 x 240 mm
- + Weight : about 10 kg/m; depending on cables, luminaires and other components.

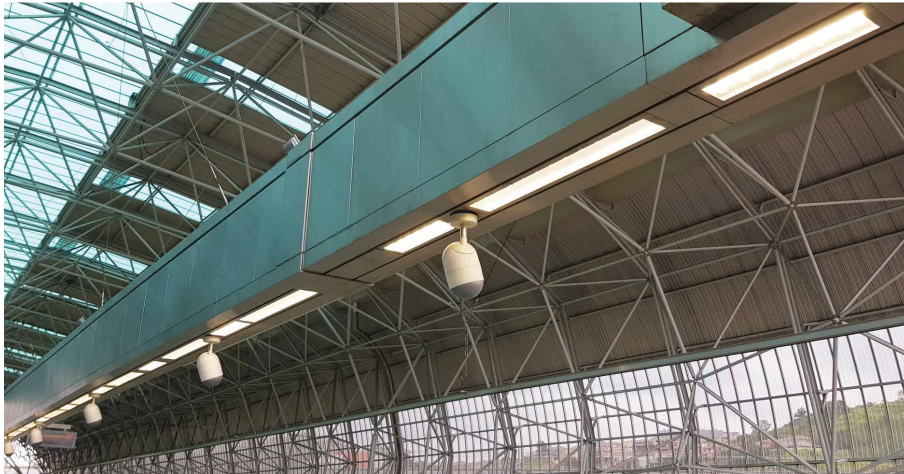


Article	Description	Angle	Surface	Dimensions	Unit	Art.No.
01	HANDRAIL 240x105 Handrail profile		coated / anodised	240 x 105 mm	m	2423-701
02	HANDRAIL 240x105 End cover, left side	90°	coated / anodised		piece	2423-702
03	HANDRAIL 240x105 End cover, right side	90°	coated / anodised		piece	2423-703
04	HANDRAIL 240x105 End cover slanted	as specified	coated / anodised		piece	2423-704
05	HANDRAIL 240x105 Handrail profile, horizontal bend	1°-120°	coated / anodised		piece	2423-705
06	HANDRAIL 240x105 Handrail profile, vertical bend	1°-120°	coated / anodised		piece	2423-706
07	HANDRAIL 240x105 Luminaire cover 18W		coated / anodised		piece	2423-707
08	HANDRAIL 240x105 Luminaire cover 36W		coated / anodised		piece	2423-708
09	HANDRAIL 240x105 Luminaire cover 58W		coated / anodised		piece	2423-709
10	HANDRAIL 240x105 Blind cover		coated / anodised	L= as specified	m	2423-710
11	HANDRAIL 240x105 Tube connectors (not shown)				piece	2423-711
12	HANDRAIL 240x105 Fixing set for wall mounting (not shown)				piece	2423-712
13	HANDRAIL 240x105 Tactile markings at the end of the handrail				piece	2423-713

Other lengths, surfaces, suspensions and components on enquiry. Subject to technical modifications and amendments. 12/2020



VARYO II Linear LED Luminaire



Description

Linear LED luminaire for the installation in lighting tubes and media channel systems. Equipped with reflector, cross-blade louvre and inside diffuser for an optimum glare restriction. Housing bottom closed with sealing in the protected section. Easy installation, connection with plug-in connectors. Suitable for permanent operation due to simple and cost-effective maintenance. Available in different variants concerning materials, light distributions and lengths.

Applications

Internal and external areas, e.g. station platforms and roofings, distribution levels, pedestrian underpasses, parking garages, industrial plants, etc.

Design

- + Housing : Stainless steel or aluminium
- + Surface : stainless steel grinded / aluminium coated in RAL colour with fine structure
- + Cover : PMMA clear, optionally PC clear for IK 10 (for extra charge)
- + Mounting : Installation through lateral blind covers in variable length, with end brackets

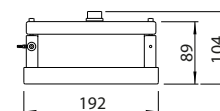
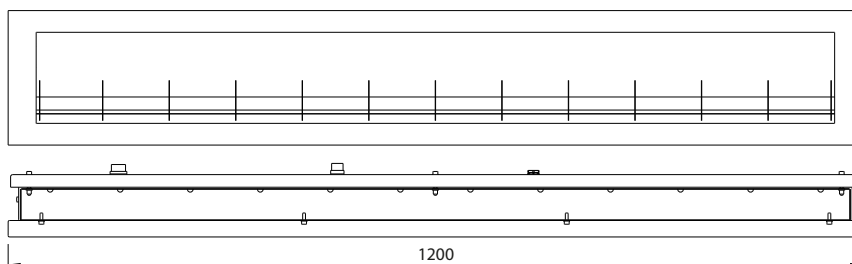
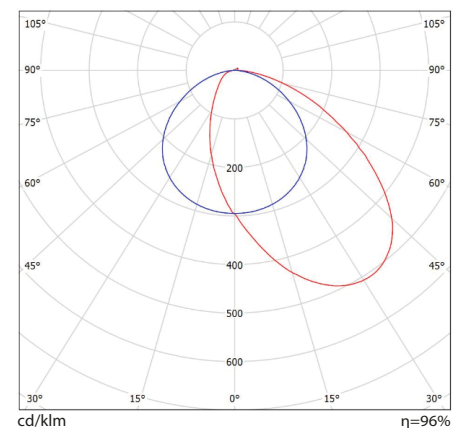
Technical Data

- + Light colour : 4000 K
- + Syst. performance : standard 26/52 W, up to 30/60 W possible
- + Dimming : DALI, 1-10 V, DMX, Dip-Switch
- + Dimensions : W= 192 mm, H= 89 mm, L= 1200/600 mm, weight 15 kg (V2A)
- + Operating unit : integrated, SELV 120, DV feasible on extra charge
- + Temperature range : -25° C to +50° C
- + Protection class : IP 65 | SK II | IK 02 (IK 10 optionally)
- + Surge protection : LED-Modul LEMP/SEMP 4 kV/μs; Spannungsfestigkeit gegen Gehäuse 4,5 kV
- + Norms/standards : in accordance to current DIN/EN and VDE standards
- + Certifications : ENEC (pending); UL Version available on enquiry

Light distribution

— C 0 - C 180 — C 90 - C 270

VARYO II asymmetric



Article	Description	Watt	Lumen	Kelvin	CRI	Surface	Dimensions l x w x h	Unit	Art.No.
01	VARYO II Linear LED luminaire Aluminium, symm.	60	7100	4000	80+	coated	1200 x 192 x 89 mm	piece	2542-1200-000
02	VARYO II Linear LED luminaire Aluminium, asymm.	60	7100	4000	80+	coated	1200 x 192 x 89 mm	piece	2542-1200-100
03	VARYO II Linear LED luminaire Aluminium, narrow	60	7100	4000	80+	coated	1200 x 192 x 89 mm	piece	2542-1200-200
04	VARYO II Linear LED luminaire Aluminium, symm.	30	3550	4000	80+	coated	600 x 192 x 89 mm	piece	2542-0600-000
05	VARYO II Linear LED luminaire Aluminium, asymm.	30	3550	4000	80+	coated	600 x 192 x 89 mm	piece	2542-0600-100
06	VARYO II Linear LED luminaire Aluminium, narrow	30	3550	4000	80+	coated	600 x 192 x 89 mm	piece	2542-0600-200
07	VARYO II Linear LED luminaire stainless steel, symm.	60	7100	4000	80+	grinded	1200 x 192 x 89 mm	piece	2542-1200-001
08	VARYO II Linear LED luminaire stainless steel, asymm.	60	7100	4000	80+	grinded	1200 x 192 x 89 mm	piece	2542-1200-101
09	VARYO II Linear LED luminaire stainless steel, narrow	60	7100	4000	80+	grinded	1200 x 192 x 89 mm	piece	2542-1200-201
10	VARYO II Linear LED luminaire stainless steel, symm.	30	3550	4000	80+	grinded	600 x 192 x 89 mm	piece	2542-0600-001
11	VARYO II Linear LED luminaire stainless steel, asymm.	30	3550	4000	80+	grinded	600 x 192 x 89 mm	piece	2542-0600-101
12	VARYO II Linear LED luminaire stainless steel, narrow	30	3550	4000	80+	grinded	600 x 192 x 89 mm	piece	2542-0600-201

Other variants and accessories on enquiry. Subject to technical modifications and amendments. 12/2020





Description

LED luminaire with flatbeam technology for the insertion in lighting tubes, specially designed for wide beam and indirect ambient lighting of roof or bridge soffits, ceilings, or similar.

Applications

Under roofings, in Metro stations, pedestrian underpasses or other tunnels.

Design

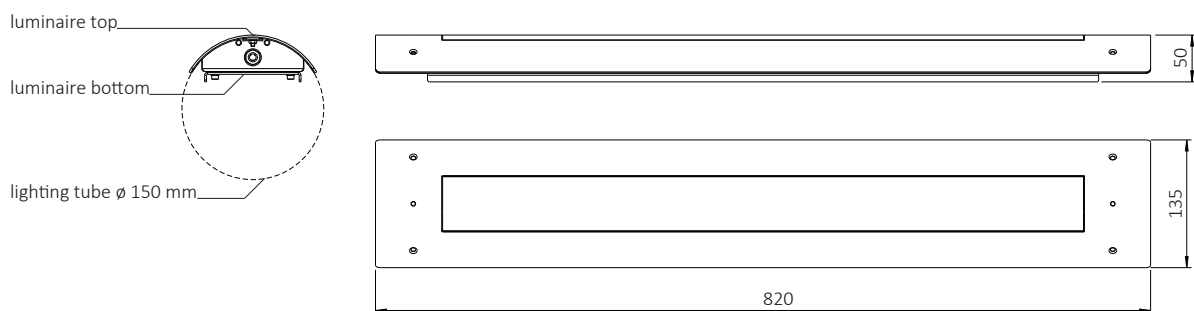
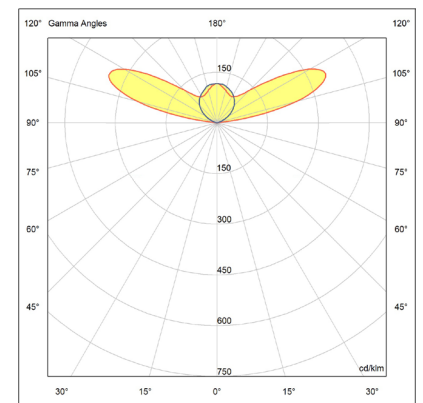
- + Housing : aluminium
- + Surface : powder coated
- + Cover : PC; others on request
- + Mounting : installation in lighting tubes

Technical Data

- + Light colour : 2700 K
- + Dimming : optionally DALI
- + Operating device : external
- + Dimensions : W= 135 mm, H= 50 mm, L= 820 mm
- + Temperature range: -25° C up to +50° C
- + Protection : IP 65* | SK III | 48V
- + Impact strength : IK 8
- + Norms/standards : according to ENEC 60598-1 and current DIN/EN and VDE standards

Light distribution

— C 0 - C 180 — C 90 - C 270



Article	Description	Watt	Lumen	Kelvin	CRI	Surface	Dimensions L x W x H	Unit	Art.No.
01 Flatbeam	Tube insert LED	55	5200	2700	85+	powder coated	820 x 135 x 50 mm	piece	3700-060

Other variants and accessories on enquiry. * In mounted state and in correct installation position. Subject to technical modifications and amendments. 12/2020





Description

LED pendant luminaire for outdoor use, available in different variants, suitable for mounting with bracket or pendulum on wall or ceiling. Surface mounted variant for direct attachment to ceilings or beams. Pendant luminaire with backlit glass shell with diffuser inside, surface mounted type with coated aluminium shell.

Direct downlight component with wide-beam reflector, glare restriction particularly designed for platform use.

Optimum thermal management due to intelligent luminaire design and innovative cooling device.

Applications

Exterior, e.g. platforms and station concourses, distribution areas, arcades etc.

Design

- + Housing : Aluminium, pendant luminaire with glass cylinder
- + Surface : Aluminium coated in DB or RAL colour with fine structure
- + Cover : Underside safety glass
- + Mounting : With bracket / pendulum, or by means of flange plates

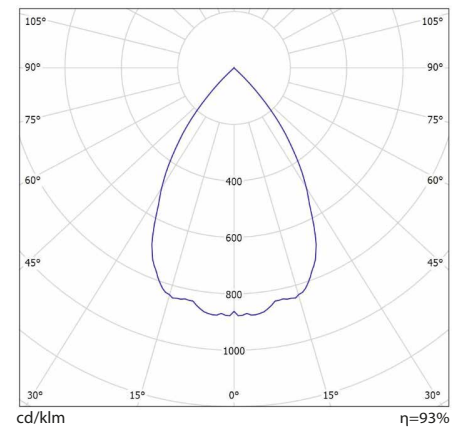
Technical Data

- + Light colour : 4000 K
- + Syst. performance : Direct component 60 W / 7500 lm, backlighting 12 W / 2000 lm
- + Dimming : DALI
- + Dimensions : PERRON .a \varnothing 230 mm / H= 325 mm, plus fastenings
PERRON .p \varnothing 333 mm / H= 544 mm, plus fastenings
- + Operating unit : Integrated
- + Temperature range : -25° C to +50° C
- + Protection class : IP 65 | SK II | IK 04
- + Norms/standards. : In accordance to current DIN/EN and VDE standards

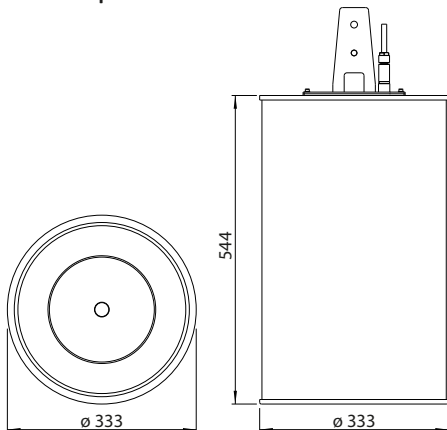
Light distribution

— C 0 - C 180 — C 90 - C 270

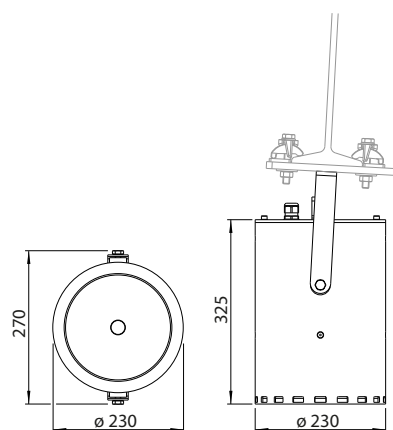
PERRON .a



PERRON .p Pendant luminaire



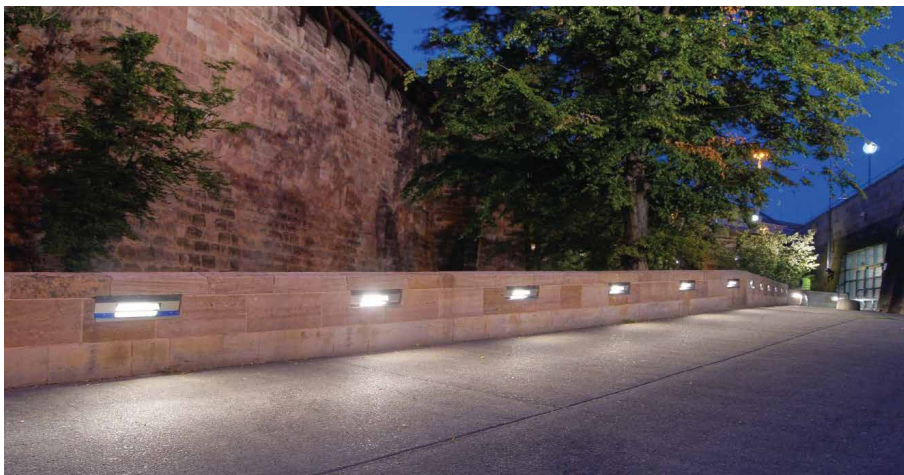
PERRON .a Surface mounted luminaire



Article	Description	Watt	lm dir. + indir.	Kelvin	CRI	Surface	Dimensions \varnothing x h	Unit	Art.No.
01	PERRON .p pendant luminaire	60 + 12	7500 + 2000	4000	80+	coated/glass	333 x 544 mm	piece	3194-050
02	PERRON .a surface mounted	60	7500 -	4000	80+	coated	230 x 325 mm	piece	3194-100

Further variants and accessories on enquiry. Subject to technical modifications and amendments. 12/2020





Description

Anti-vandalism LED luminaire with impact-proof and acid-resistant housing, suitable for surface mounting or recessed mounting at parapet height. Due to the Flatbeam technology, the NORIS.fb has a very flat light emission. The main part of the light is used for the illumination of the footpath, and therewith avoids unnecessary light pollution of the environment. A small percentage of diffused light serves for the brightening of the facial area to provide recognizability of approaching people. Arranged in low height, the luminaires prevent the passers-by from being dazzled. Variable mounting brackets offer optimum adjustability of the NORIS.fb to the depth of existing recesses. Also the front cover is possible to be made to fit existing recesses. Furthermore, NORIS.fb is available as a retrofit kit for existing luminaire housings. Its LED unit is easily exchangeable and thus offers fast maintenance and mounting work.

Applications

Access corridors, distribution levels, pedestrian underpasses, staircases, parking lots, etc.

Design

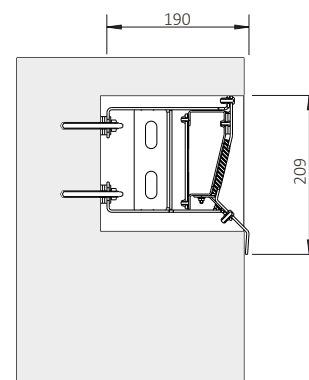
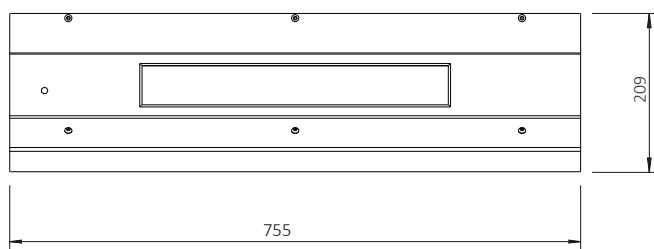
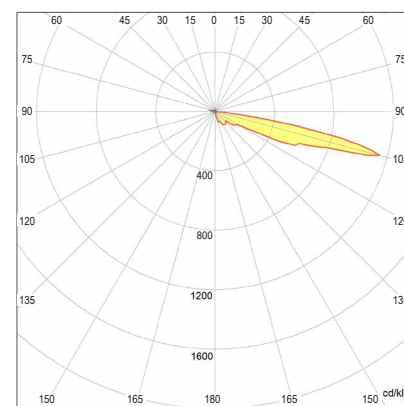
- + Housing : Stainless steel
- + Surface : sanded and electropolished (acid-resistant), coated on enquiry
- + Cover : Stainless steel, LSG made of TSG
- + Mounting : Recessed, surface mounted type on enquiry

Technical Data

- + Syst. performance : 12 W
- + Light source : LED 2700 K
- + Operating unit : integrated
- + Dimensions : D= 190 mm, H= 209 mm, L= 755 mm
- + Protection : IP 65

Light distribution

— C 0 - C 180 — C 90 - C 270



Article	Description	Watt	Surface	Dimensions l x d x h	Unit	Art.No.
01 NORIS .fb	anti-vandalism recessed luminaire	12	sanded/electropolished	755 x 190 x 209 mm	piece	4116-001

Other variants, dimensions and surfaces on enquiry. Subject to technical modifications and error. 09/2020



SANGO Linear Tunnel Luminaire



Description

Special luminaire with robust stainless steel housing for the illumination of technical areas and installation zones, for an easy and expeditious maintenance.

Applications

Installation spaces and utility rooms, e.g. in road and railway tunnels, underpasses, industrial plants, etc...

Design

- + Housing : stainless steel
- + Surface : untreated
- + Cover : glass
- + Mounting : ceiling / wall mounting with brackets

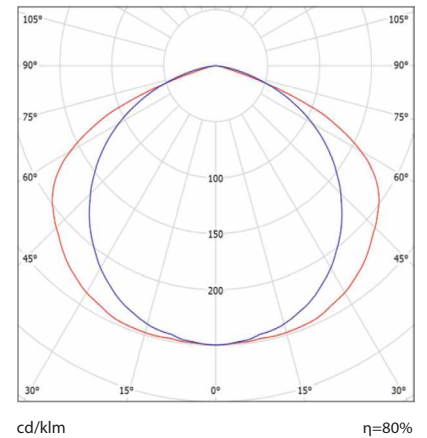
Technical Data

- + Light colour : 4000 K
- + Syst. performance: 54 / 108 Watt T5 | 34 / 68 Watt LED
- + Dimming : on enquiry
- + Operating unit : integrated
- + Dimensions : W= 257 mm, H= 66 mm, L= 1295 mm
- + Connection : Harting connector with plug connection inside, grounding screw
- + Protection class : IP 65

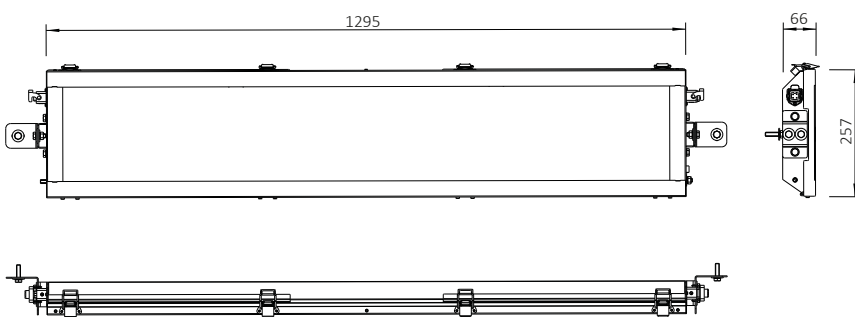
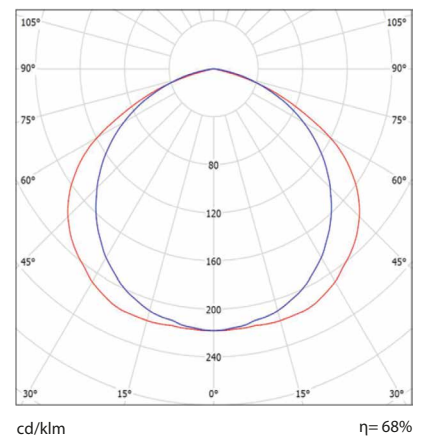
Light distribution

— C 0 - C 180 — C 90 - C 270

SANGO 1x 54 W T5



SANGO 2x 54 W T5



Article	Description	Watt	Lumen	Kelvin	CRI	Surface	Dimensions l x w x h	Unit	Art.No.
01	SANGO Linear tunnel luminaire T5	1x 54	4450	4000	80+	untreated	1295 x 257 x 66 mm	piece	2437-250
02	SANGO Linear tunnel luminaire T5	2x 54	8900	4000	80+	untreated	1295 x 257 x 66 mm	piece	2437-050
03	SANGO Linear tunnel luminaire LED	34	4000	4000	80+	untreated	1295 x 257 x 66 mm	piece	2437-410
04	SANGO Linear tunnel luminaire LED	68	8000	4000	80+	untreated	1295 x 257 x 66 mm	piece	2437-400
05	SANGO Mounting bracket long for swivel range up to 46°					untreated		set	2437-022
06	SANGO Mounting bracket short for swivel range up to 10°					untreated		set	2437-016

Further variants and accessories on enquiry. Subject to technical modifications and amendments. 09/2020





Description

Freestanding information pillar with information light on top, backlit pictograms, integrated panel with operating buttons, as well as a maintenance door.

Applications:

Entrances of e.g. metro or railway stations, freestanding elevators, parking garages, etc.

Design:

- + Housing : stainless steel, grinded
- + Dimensions : as per specification
- + Components : screw connection to the floor / foundation

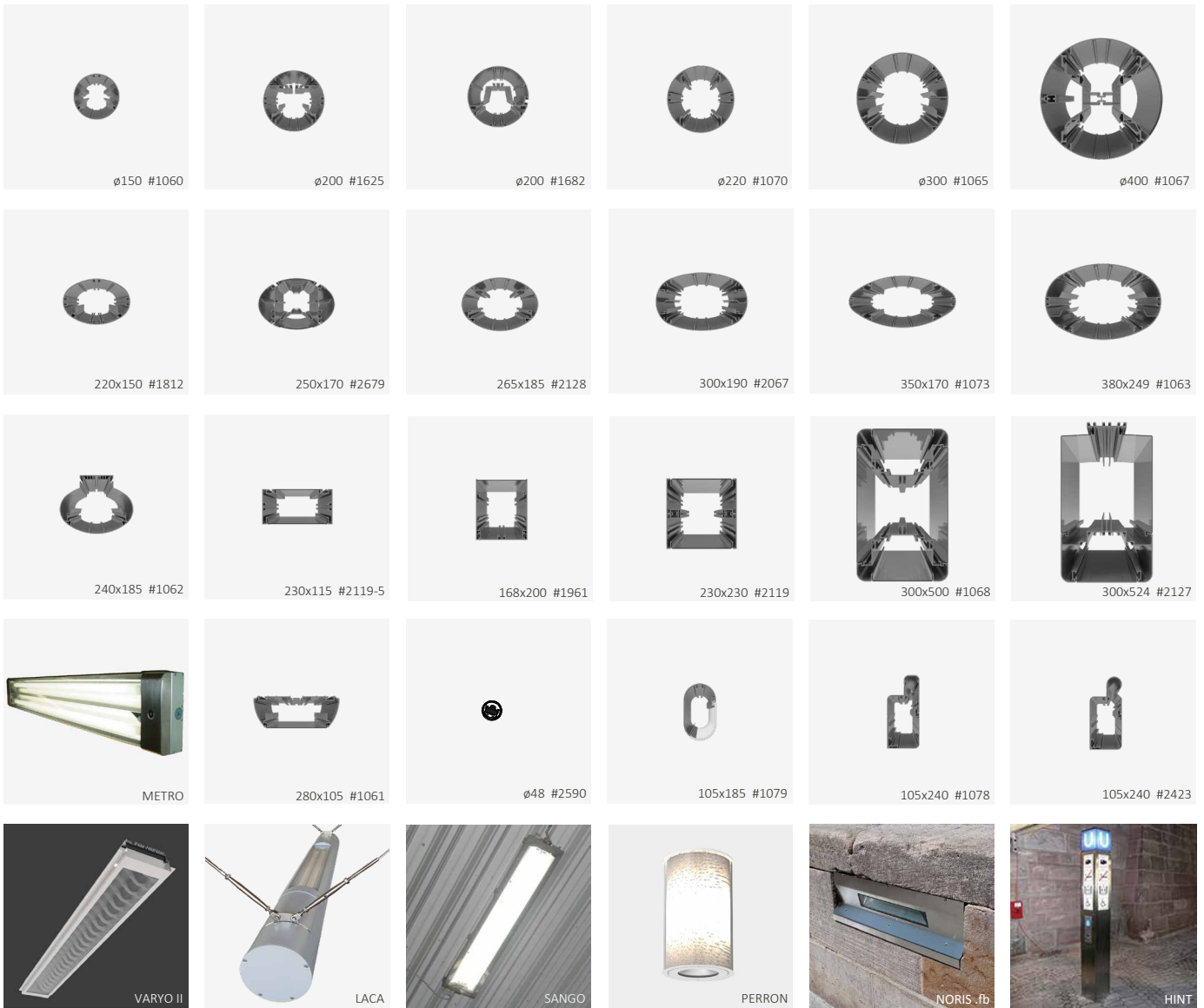
Technical Data

- + Dimensions : as per specification

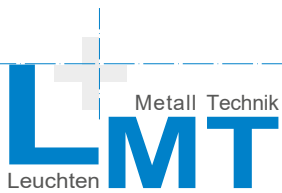
Article	Description	Surface	Dimensions	Unit	Art.No.
01 HINT	Information pillar	stainless steel	as per specification	piece	2357-001

Other variants and fixations on enquiry. Subject to technical modifications and amendments. 09/2020





© LMT GmbH 2020



Leuchten + Metall Technik GmbH
Dieselstr. 5 · D-91161 Hilpoltstein



+49 9174 4797-0



+49 9174 4797-15



info@lmtgmbh.de



https://lmtgmbh.de



lmtgmbh



lmt.gmbh



Certified Quality

according to ISO 9001:2015



Environmentally certified

according to ISO 14001:2015



Certified Recycling



Certified WPK

acc. to DIN 1090-1



Made in Germany

